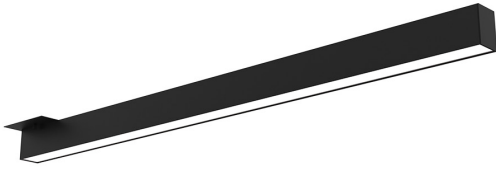


CAUTION

Turn off the main power at the circuit breaker before installing the fixture in order to prevent possible shock. If you are unfamiliar with proper electrical wiring connections, obtain the services of a qualified electrician.

GENERAL

Read all instructions carefully for safe operation and installation. All electrical connections must be in accordance with local and national electrical code (N.E.C.) standards. Remove the fixture and mounting package from the box. Make sure no parts are missing by referencing the illustrations on these Installation Instructions. Please contact Blackjack Lighting at 847-941-0588 if any parts are missing or damaged. This product is suitable for DAMP locations.



PARTS & ACCESSORIES LIST

(*) NOTE: 2 mounting assemblies are required for 2-ft. to 4-ft. lengths.
3 mounting assemblies are required for between 4-ft. and 8-ft. lengths.



8#-32
Screws (4)

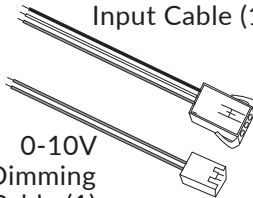


Twist-On Wire
Connectors (5)

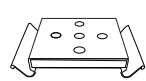


Module Cover
Removal Tool (1)

AC 3-Conductor
Input Cable (1)



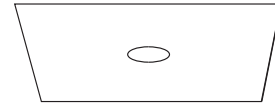
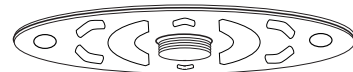
0-10V
Dimming
Cable (1)



Ceiling Clip

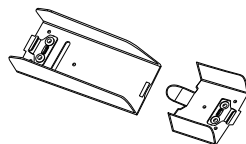


Safety Clip w/
Riveted Safety
Wire



Canopy Mounting Round Crossbar (1),
Square Decorative Cover Plate (1),
Nipple (1), Large Nipple Nut (1)

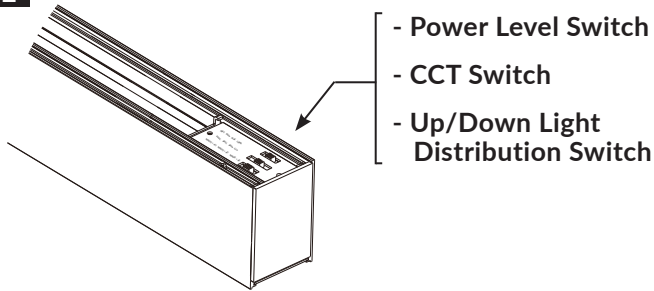
NOT INCLUDED:
#8 Ceiling
Expansion Anchor



Internal Connector
(Included only with runs of
multiple pendants)

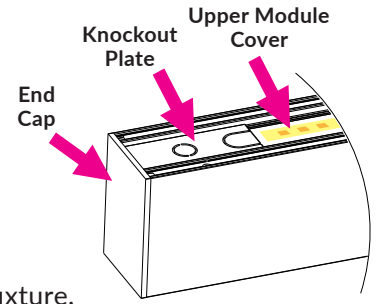
INSTALLATION for SURFACE MOUNTING

1



Step 1. Adjust power output and CCT switch. Slide the Up/Down switch to **100% Down** position.

2



Step 2A. Locate Power Feed side of fixture. Gently remove the end cap from the fixture.

Step 2B. Slide out and remove knockout plate (not needed for surface mounting).

Step 2C. Use module cover removal tool to lift open latch of the top module cover.

3

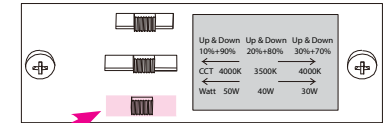


Step 3. The opening on the power input side should be centered on the middle of the ceiling mounted junction box. With pencil, draw a line (marking ends of fixture) on ceiling. Next, measure 4" on center from each end of fixture and mark locations of the two ceiling clips (mark through center hole on clip).

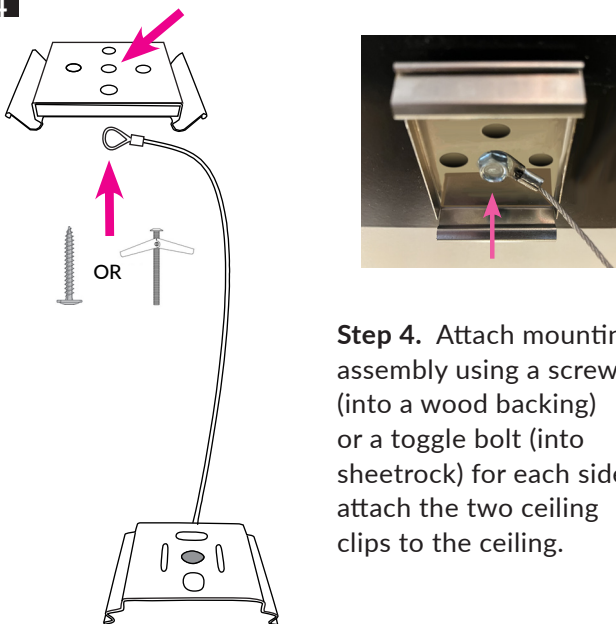
(NOTE: 3 hanging clips required for fixture length between 4-ft. to 8-ft.)

NOTE

Decal has been placed over the Up/Down switch, for it to remain in the Down Only position.

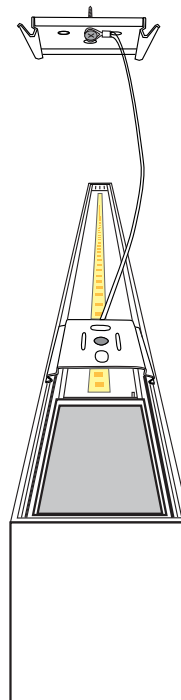


4



Step 4. Attach mounting assembly using a screw (into a wood backing) or a toggle bolt (into sheetrock) for each side, attach the two ceiling clips to the ceiling.

5



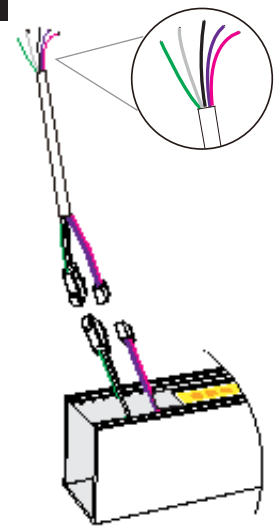
Step 5A. Firmly snap upper module cover back into linear fixture housing.

Note: Spread one side of the housing and insert one end of the upper module cover and press firmly along length of cover to firmly secure.

Step 5B. Attach the safety clip to the top of the fixture by snapping it onto the rail, one side at a time.

INSTALLATION for SURFACE MOUNTING *(continued)*

6

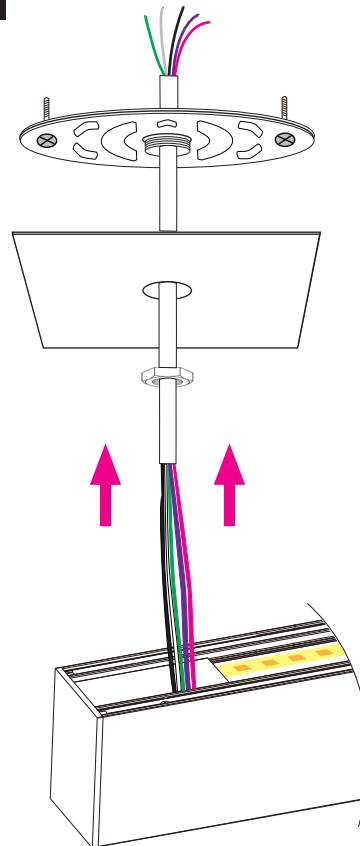


Green - Ground
White - Power
Black - Power
Purple - 0-10V Dimming
Pink - 0-10V Dimming

Step 6A. Pull out two sets of wires from end of fixture (black/white/green = 3-wire power/ground; pink/purple = 2-wire 0-10V dimming).

Step 6B. Connect to Short AC Input Cable.

7

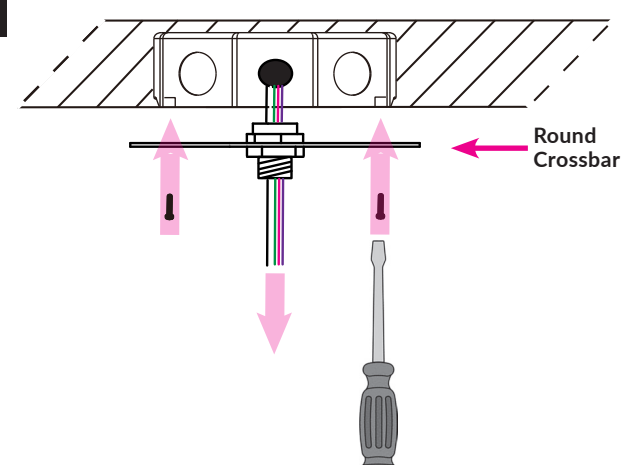


Step 7A. Pull cut cables up through top of fixture housing.

Step 7B. Reinstall end cap on end of fixture.

Step 7C. Insert the bare end of these wires through the hex nut, the center of the square decorative plate, and the round crossbar with nipple. Then connect the wires to the matching color wires inside the junction box.

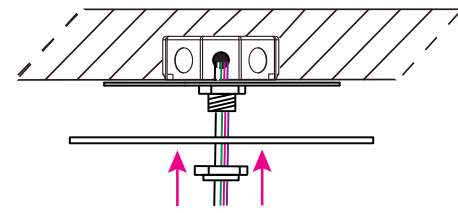
8



Round Crossbar


Step 8. After wires are connected inside the junction box, hold round crossbar up to ceiling. Then, using two M4*8 screws, secure round crossbar to junction box.

9



Step 9. Fit square faceplate over nipple. Thread on large nipple nut from bottom tightly and attach square faceplate to mounted backplate.

10



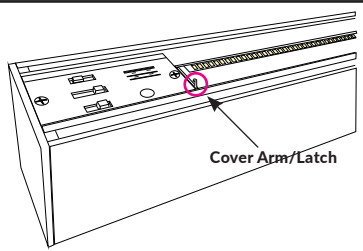
Step 10. Push hanging clips with safety wires toward each other as you push fixture up to the ceiling. Ceiling clips will click-lock onto fixture. Gently pull on fixture to ensure fixture is locked in place.

IF INSTALLING MULTIPLE FIXTURES, DO NOT SECURE FIRST FIXTURE TO CEILING YET. SEE NEXT STEPS.

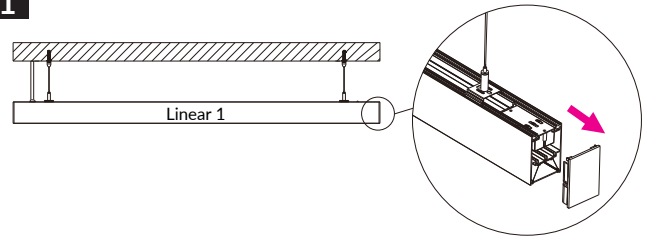
INSTALLATION of MULTIPLE PENDANTS

NOTE

If Linear 1 is already mounted to the ceiling, gently rock the fixture back and forth and pull to detach it from the mounting clips. Allow the fixture to hang from the safety wires. Then, at the arm/latch, use module cover removal tool to remove the LED cover.

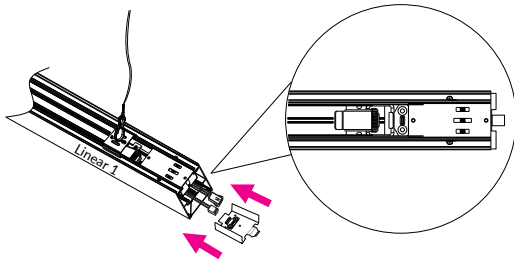


1



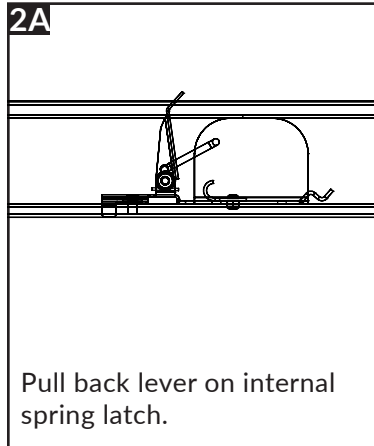
Step 1. Remove one end cap from switch end of the first powered fixture (Linear 1).

2



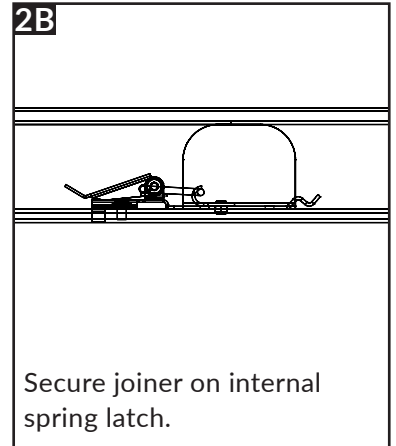
Step 2. Slide hanging clip away from end of fixture. Pull out interconnecting cables. Insert internal connector into fixture body, and use internal snap spring latch to fasten the hook.

2A



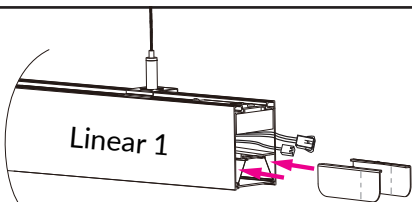
Pull back lever on internal spring latch.

2B



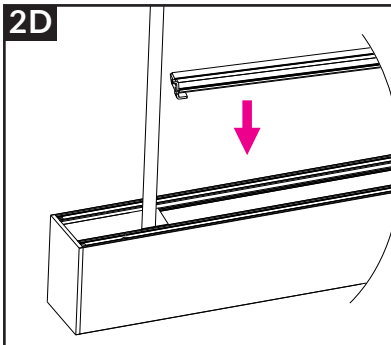
Secure joiner on internal spring latch.

2C



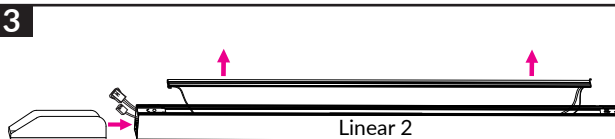
Step 2C. Insert the left and right shielding plates into the fixture body, respectively. Leave short portion extending out of extrusion.

2D



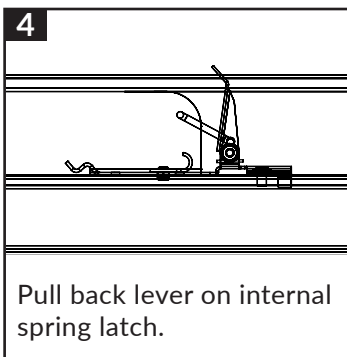
Step 2D. Re-install the upper module back onto Linear fixture 1. *Note: Spread one side of the housing and insert one end of the upper module cover and press firmly along length of cover to firmly secure.*

3



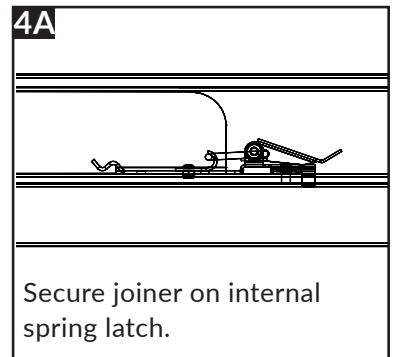
Step 3. Remove end cap of Linear fixture 2. Remove upper module cover of Linear fixture 2. Insert long portion of joiner.

4



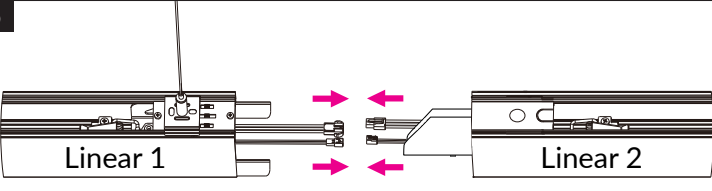
Pull back lever on internal spring latch.

4A



Secure joiner on internal spring latch.

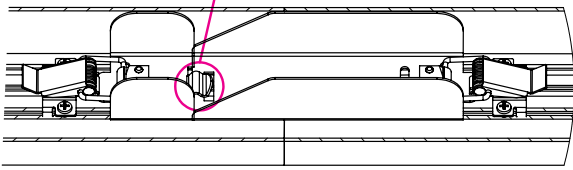
5



Step 5. Connect the electrical connectors and joiner between Linear fixture 1 and Linear fixture 2. Re-attach upper module cover to Linear fixture 2.


6

Lip will rest over rectangle cut out



Step 6 (Cut-away of locking joiner). Push ends of two fixtures together until two-piece joiner internally successfully snaps together.

7



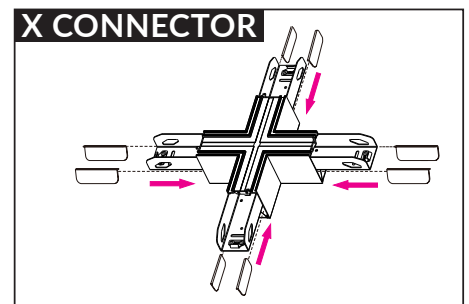
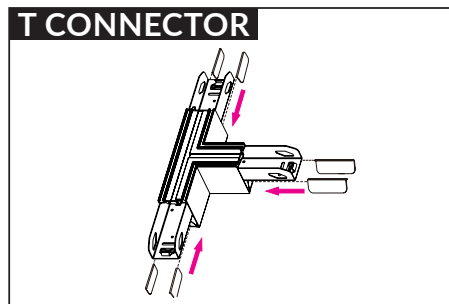
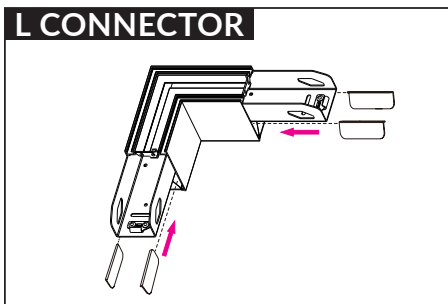
Step 7. Follow the steps above to connect fixtures together. The fixtures in the middle can be connected to both sides with two wires.

NOTE: 2 mounting assemblies should be placed approximately every 4 feet, on center, minimum.

NOTE: Maximum run length not to exceed 720W.

30W = (24) 4-ft. fixtures / 40W = (18) 4-ft. fixtures / 50W = (14) 4-ft. fixtures

INSTALLATION of SHORT-LENGTH L/T/X SPLICING COMPONENTS with DUAL-SIDE ILLUMINATION



SPLICING DIAGRAM

