

BLS2 LINEAR – SURFACE DOWNLIGHT

2in Profile / Direct Illumination / Selectable Output



SPECIFICATIONS

Output (per linear ft.)	Medium (909 lm/ft.) High (1192 lm/ft.) Very High (1430 lm/ft.)
CCT / Color Temperature	3000K, 3500K, or 4000K
Color Rendering Index (CRI)	90+
Voltage	120-277V
Driver	0-10V (10%-100%)
Weight	Approx. 1.3 lb./ft. (may vary depending on additional options selected)
Environment	Suitable for Damp Location installations. Operating temperature range: -25°C to 50°C (-13°F to 122°F)
Materials	Aluminum housing with PC lens and endcaps
Finish Color	Black (BL) or White (WH) - powder coated

ORDERING GUIDE

Example: BLS2 - SD - 4F - H - 100 - 30K - BL

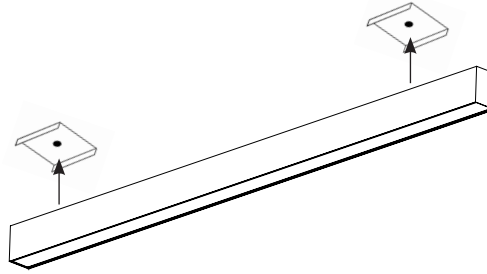
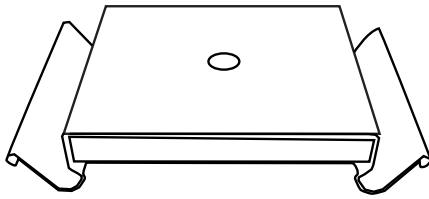
PRODUCT CODE →

SERIES	MOUNTING	LENGTH	OUTPUT	LIGHT DISTRIBUTION	CCT	FINISH
BLS2 BLS2 Blackjack Linear Slot	SD SD Surface Downlight	<input type="text"/> 2F 2 ft. (nominal) 4F 4 ft. (nominal) 8F 8 ft. (nominal) <i>Consult factory for custom lengths.</i>	<input type="text"/> Standard M Medium H High V Very High Custom D### - U### (Select lm/ft.) <i>Consult factory for custom outputs.</i>	100 100 100% Downlight	<input type="text"/> 30K 3000K 35K 3500K 40K 4000K	<input type="text"/> Standard BL Black WH White Special Order BZ Bronze SS Satin Silver SG Satin Gold Other CS Customer Specification

OPTIONS →

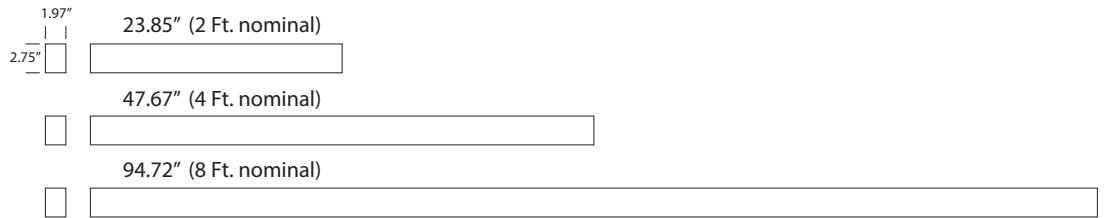
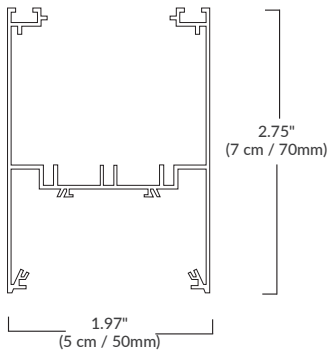
MOUNTING DETAIL	VOLTAGE	DRIVER	DRIVER LOCATION	OTHER
<input type="text"/> T Drop Ceiling/ T-Grid Adapter F Recessed / Full-Length Rails <i>None is default. Leave blank for none.</i>	<input type="text"/> UNV Universal 120-277V (default) <i>Leave blank for default.</i>	<input type="text"/> ZT 0-10V (10% dimming) (default) <i>Leave blank for default.</i>	<input type="text"/> I Internal (default) <i>Leave blank for default.</i>	<input type="text"/> MH Mid-Run Power Harness Adapter <i>None is default. Leave blank for none.</i>

MOUNTING



NUMBER OF BRACKETS INCLUDED:
 2 ft. - 2 (Two)
 4 ft. - 2 (Two)
 8 ft. - 3 (Three)

DIMENSIONS (Standard)



OUTPUT (Standard @ 3000K)

	MEDIUM	100 (100% DOWN) HIGH	VERY HIGH
PER FT.	909 LM 7.5 W	1192 LM 10 W	1430 LM 12.5 W
EFFICACY (LM/W)	121 LM/W	119 LM/W	114 LM/W
STD. LENGTHS			
2 FT.	1812 LM 15 W	2385 LM 20 W	2871 LM 25 W
4 FT.	3635 LM 30 W	4959 LM 40 W	5921 LM 50 W
8 FT.	7270 LM 60 W	9534 LM 80 W	11440 LM 100 W
PHOTOMETRY			

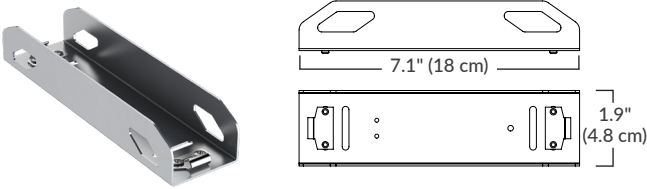
NOTE: Photometry based on a [4-ft.] profile @ [30K] CCT.

LUMEN MULTIPLIER CHART

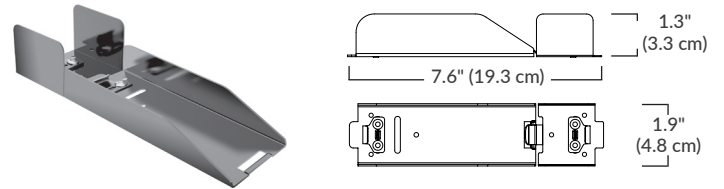
CCT	MULTIPLIER
30K	1.00
35K	1.061
40K	1.067

CONNECTOR ACCESSORIES (optional)

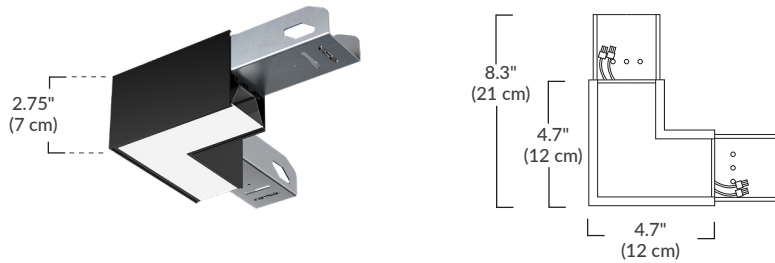
Internal Surfaced/Recessed - "CISR"



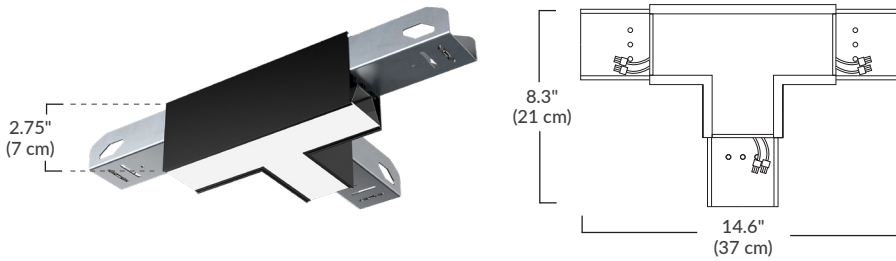
Internal Pendant/Wall - "CIPW"



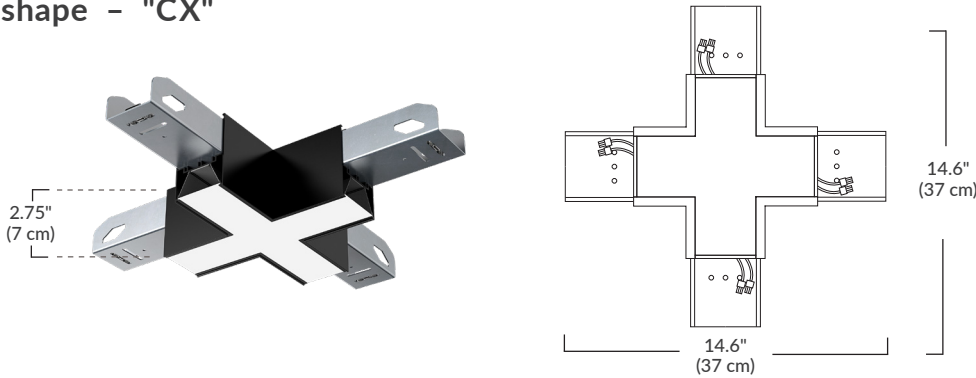
L-shape - "CL"



T-shape - "CT"



X-shape - "CX"



ORDERING GUIDE - ACCESSORIES

SERIES

BLS2

BLS2
Blackjack Linear
Slot

CONNECTOR TYPE

CISR - Internal (Surface/Recessed)
CIPW - Internal (Pendant/Wall)
CL - L-shape
CT - T-shape
CX - X shape

FINISH

Standard
BL Black
WH White
Special Order
BZ Bronze
SS Satin Silver
SG Satin Gold
Other
CS Customer Specification

MAX. CONNECTIONS:

2 ft. - 7 units
4 ft. - 7 units
8 ft. - 4 units

Example: BLS2 - CL - WH