



CAUTION

Turn off the main power at the circuit breaker before installing the fixture in order to prevent possible shock. If you are unfamiliar with proper electrical wiring connections, obtain the services of a qualified electrician.

GENERAL

Read all instructions carefully for safe operation and installation.

All electrical connections must be in accordance with local and national electrical code (N.E.C.) standards. Remove the fixture and mounting package from the box. Make sure no parts are missing by referencing the illustrations on these Installation Instructions.

Please contact Blackjack Lighting at 847-941-0588 if any parts are missing or damaged.

This product is suitable for DAMP locations.

PREPARATION

1. Remove the fixture from its box. Carefully unpack all of the bundled wire packages. Be careful not to bend or kink the wires when unpacking. Remove additional package with selected decorative light guides.
2. Remove the ceiling plate (10) from the canopy cover (11) by loosening the four decorative finials (12).
3. Fixture must be mounted into a rigid ceiling material (sheet rock, fire rated plywood or similar) that can support the weight of the fixture and accept drywall anchors, expandable fasteners or similar structural fasteners.

MOUNTING

4. Place the ceiling plate (10) over the outlet box (1). Drill eight support holes using the appropriately sized drill bit. Insert the provided ceiling anchors (16) into the holes. First screw the anchor screws (17) halfway into the ceiling anchors, then further attach ceiling plate (10) to the outlet box by using two mounting screws (9). Afterward fully tighten all anchor screws (17).
5. Pull the supply wires (2 & 8) and the house ground wire (5) out of the outlet box (1) and thread them through large center hole in ceiling plate (10). If this fixture will be attached to a 0-10V dimmer (optional), also pull the two 0-10V dimming wires (19 & 20) through the large center hole.

CONNECTING WIRES

6. Using the wire connectors (3) attach the black fixture wire (7) to the black supply wire (8) from the outlet box (1). Attach the white fixture wire (4) to the white supply wire (2) from the outlet box (1). And attach the fixture ground wire (6) to the house ground wire (5)

FINAL ASSEMBLY

7. If this fixture will be attached to a 0-10V dimmer: Attach the Purple dimming wire from the driver (18) to the Purple (or "+" /positive) (20) dimming wire from the outlet box (1). Attach the Grey dimming wire from the driver (18) to the grey (or "-"/ negative) (19) dimming wire from the outlet box (1). If these wires are not used, then the exposed wire ends need to be capped to prevent an accidental short circuit.
8. To install light guides simply screw in the threaded end of the light guide (22) into the socket (21).
9. Determine the approximate length of each suspension wire (if in doubt about exact length needed, leave a little extra wire until final installation of the canopy cover (11)). Push the excess wire up into the canopy by pressing the small barrel of the gripper (15) upward. This will release the wire tension and allow the suspended wire to be pulled through gripper (15). Roll excess wire into a small loop inside the canopy. Wrap the supplied Velcro strap, attached to each wire in the canopy cover (11), around this loop to keep the excess wire from falling outside the canopy cover (11).
10. Temporarily suspend the canopy cover (11) from the ceiling plate (10) by attaching the three support loops (14) to their mating hooks (13).

11. Make sure all the cables are carefully placed inside canopy cover (11). Secure the canopy cover (11) to the ceiling Plate (10) by tightening the four decorative nuts (12) over the outward screws (23).

12. Once the canopy is in place, use the gripper (15) to fine tune the wire lengths until each light guide (22) is adjusted to its preferred length.

13. Once the length of each cable has been established, any remaining bends or kinks in the wire can be straightened by bending out the kinks by hand while heating the cord up with the warm air from a hair dryer or heat gun. Or contact BlackJack Lighting to purchase a handheld wire straightener.

DIMMING: Universal (TRIAC, ELV, 0-10V dimmable). For recommended dimmers see blackjacklighting.com

HARDWARE



Wire Connector (#8)
(3) Included



Mounting Screw (#9)
(2) Included



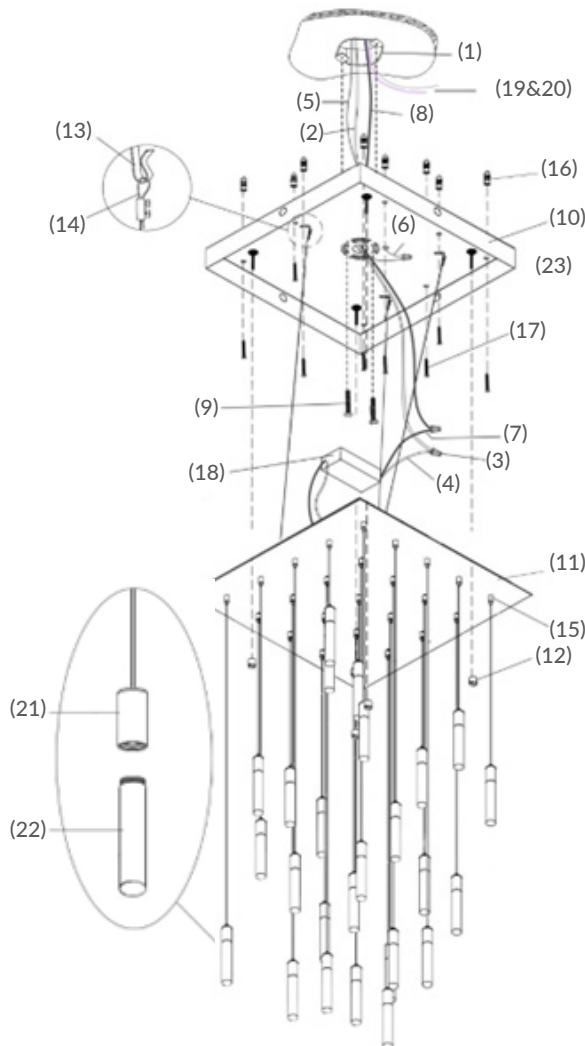
**Decorative Finial
Screw (#12)**
(4) Included



Anchor (#16)
(8) Included



Anchor Screw (#17)
(8) Included



1. OUTLET BOX (by others)
2. WHITE SUPPLY WIRE
3. WHITE FIXTURE WIRE
4. BLACK SUPPLY WIRE
5. BLACK FIXTURE WIRE
6. HOUSE GROUND WIRE
7. FIXTURE GROUND WIRE
8. WIRE CONNECTORS
9. MOUNTING SCREWS
10. CEILING PLATE
11. CANOPY COVER
12. DECORATIVE NUT
13. HOOK
14. LOOP
15. GRIPPER
16. ANCHOR
17. ANCHOR SCREW
18. SOCKET
19. COLOR GEL
20. LIGHT GUIDE
21. OUTWARD SCREWS