

**CAUTION**

Turn off the main power at the circuit breaker before installing the fixture in order to prevent possible shock. If you are unfamiliar with proper electrical wiring connections, obtain the services of a qualified electrician.

**GENERAL**

Read all instructions carefully for safe operation and installation. All electrical connections must be in accordance with local and national electrical code (N.E.C.) standards. Remove the fixture and mounting package from the box. Make sure no parts are missing by referencing the illustrations on these Installation Instructions. Please contact Blackjack Lighting at 847-941-0588 if any parts are missing or damaged. This product is suitable for DAMP locations.

**PREPARATION**

1. Remove the fixture from its box.
2. Pull the supply wires(2&5) and house ground(6) wires out from the junction box(1) and thread them through the center hole in the mounting bracket(10). Then attach the mounting bracket(10) to the junction box(1) using the mounting screws(9).
3. Temporarily remove strain relief cap(16) (attached to socket(18) and detach it from cable(15). Slide fixture shade(17) over exposed threaded tube on top of socket(18). Lock it down with strain relief cap(16).

**MOUNTING**

4. Loosen strain relief screw(14) on canopy(13) and insert the fabric-covered wire(15) to the required length. Wind the excess wire into a loop, then secure it so that it doesn't come undone. Then tuck it into the canopy(13).
5. If wire does not fit into canopy, then cut wire to proper size and trim outer insulation to expose three wires. Strip the end of each to 7/16" and connect to the same color supply wire or ground wire.
6. To cut fabric wire to shorter length:
  - (A) Use optional Cord Cutter (order separately - No. 99051); or
  - (B) Use manual method (*see Figure 2*). To avoid fabric fraying, first determine the overall length of the cable then adjust the gripper to the position desired. Wrap electrical tape 10" above gripper. Cut the cord in the middle of the tape. Wrap tape 4" below the cut. Insert cord into canopy hole and secure the gripper with the nut. Carefully cut and peel only the outside jacket of the cord to expose individual wires; strip wire ends to expose 7/16" of stranded wire.

**ELECTRICAL CONNECTIONS**

7. *See Figure 1*. Using the wire connectors(8), connect the white supply wire(2) to the white fixture wire(3); connect the black supply wire(5) to the black fixture wire(4); and connect the house ground wire(6) to the fixture ground wire(7). Tuck the wires back into the junction box(1).
8. To secure the mounting bracket(10) to the junction box(1), align the holes of the mounting bracket(10) with the holes in the junction box(1). Insert and tighten the two mounting screws(9).
9. To secure the canopy(13) to the mounting bracket(10), align the two holes on the sides of the canopy(13) with the holes on the sides of the mounting bracket(10). Then insert and tighten the two canopy thumbscrews(12) through the canopy into the bracket(10) to secure everything together.

**FINAL ASSEMBLY**

10. (Optional) Screw swag hook securely into ceiling or support beam. Pull cord through to desired slack and length. *See Figure 3 on page 4*.
11. Insert the lightbulb (not included with the E26 socket kit) into the fixture socket.

### HARDWARE



**Wire Connector (#8)**  
Qty. Included: 3



**Mounting Screw (#9)**  
Qty. Included: 2



**Bracket Screw (#11)**  
Qty. Included: 2



**Thumbscrew (#13)**  
(1) Included

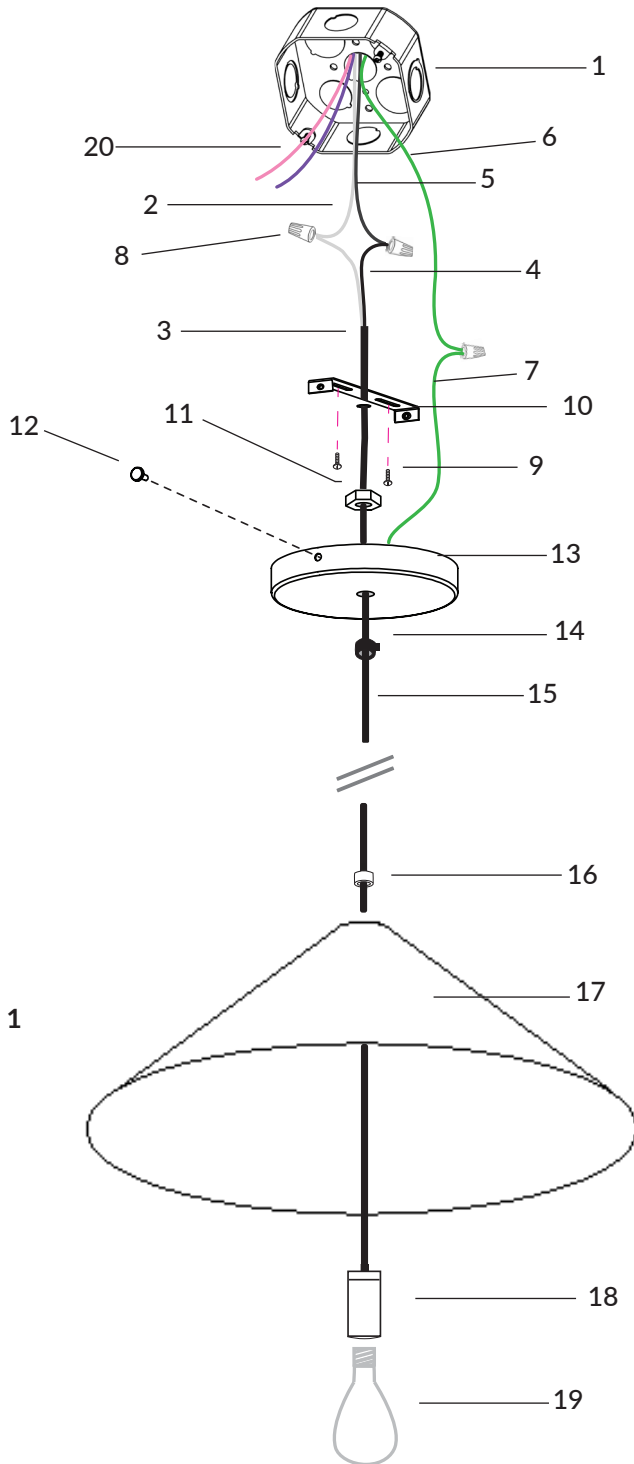
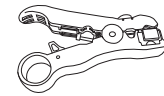


Figure 1

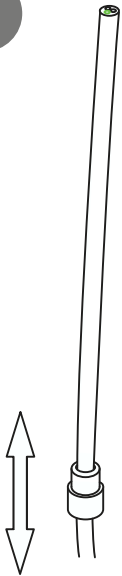


**Cord Cutter (optional)**  
Order Separately:  
No. 99051

1. JUNCTION BOX  
(not supplied by BJL)
2. WHITE SUPPLY WIRE
3. WHITE FIXTURE WIRE
4. BLACK FIXTURE WIRE
5. BLACK SUPPLY WIRE
6. HOUSE GROUND WIRE
7. FIXTURE GROUND WIRE
8. WIRE CONNECTORS
9. MOUNTING SCREWS
10. MOUNTING BRACKET
11. STRAIN RELIEF NUT
12. CANOPY THUMBSCREW
13. CANOPY
14. STRAIN RELIEF
15. FABRIC-COVERED CABLE
16. STRAIN RELIEF CAP
17. FIXTURE SHADE
18. E26 SOCKET
19. E26 or PAR20 BULB  
(not supplied by BJL)
20. PINK and PURPLE HOUSE DIMMING WIRES

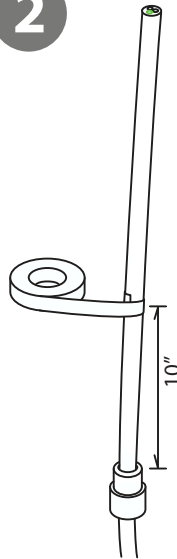
Instructions on how to cut and splice the pendant cables (if not using optional Cord Cutter No. 99051):

**1**



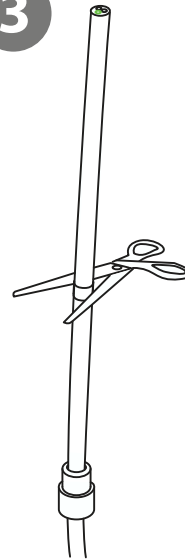
Determine length of socket and cable; adjust strain relief to desired position.

**2**



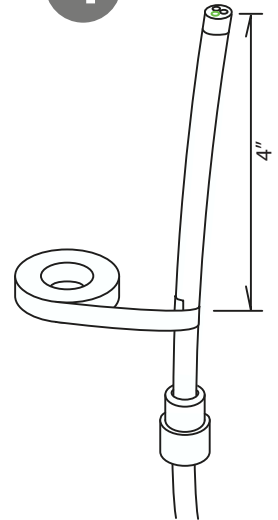
Wrap tape 10" above the strain relief.

**3**



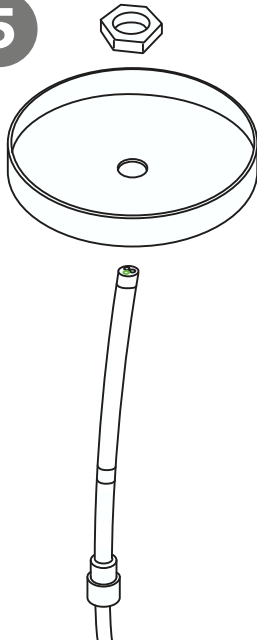
Cut the cord in the middle of the tape.

**4**



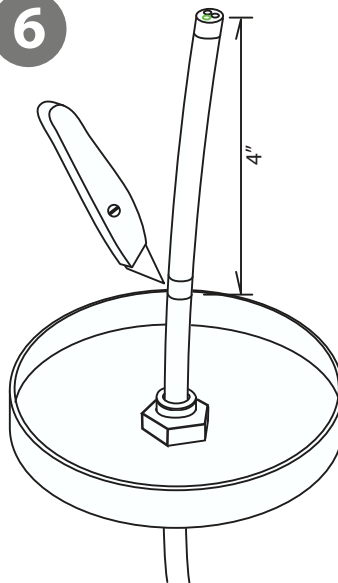
Wrap tape 4" below the cut.

**5**



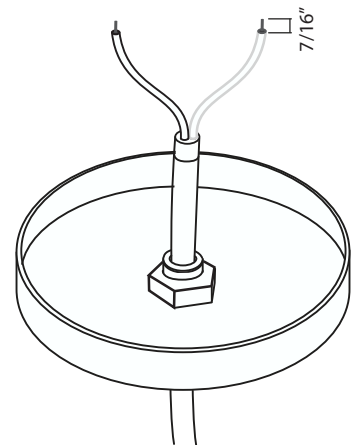
Insert cord into the canopy hole and secure the strain relief with the nut.

**6**



Cut and Peel the cord jacket off the outside of the cord.

**7**



Strip 7/16" off the ends of each wire.

Figure 2

### Instructions to install Swag Hook (optional):

### Swag Clip Detail

Fixture must be mounted to rigid ceiling material (sheet rock, fire rated plywood or similar) that can support the weight of the fixture and accept drywall anchors, expandable fasteners or similar structural fasteners.

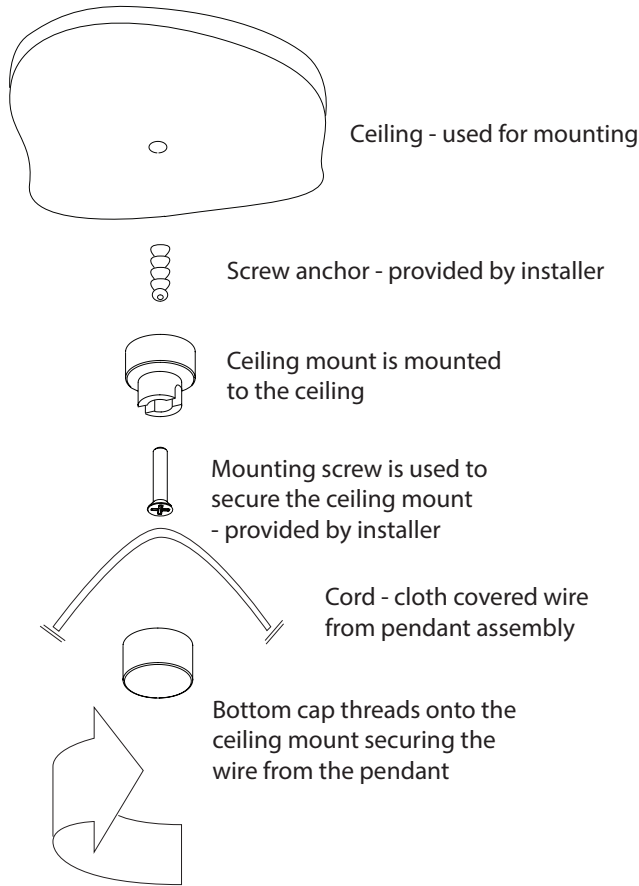
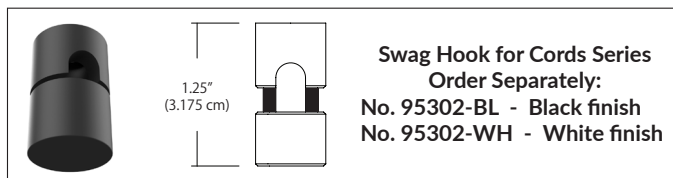


Figure 3.



### Instructions to install Extension Stem Kit (optional):

1. Remove strain relief cap from top of socket cover.
2. Slide extension stem(s) over end of fabric cable and screw onto strain relief on top of socket cover. It helps to twist stem while sliding.
3. Slide ceiling swivel over end of fabric cable and screw onto extension stem. It helps to twist swivel while sliding.
4. Screw ceiling swivel onto canopy.

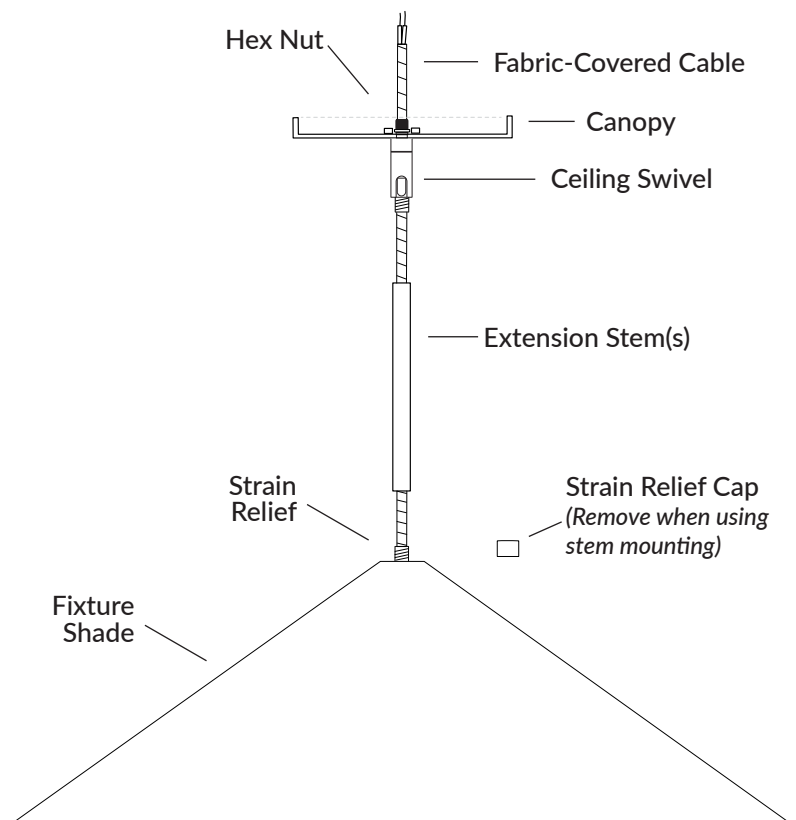


Figure 4. Exploded view of Extension Stem Kit.