

CAUTION

Turn off the main power at the circuit breaker before installing the fixture in order to prevent possible shock. If you are unfamiliar with proper electrical wiring connections, obtain the services of a qualified electrician.

GENERAL

Read all instructions carefully for safe operation and installation. All electrical connections must be in accordance with local and national electrical code (N.E.C.) standards. Remove the fixture and mounting package from the box. Make sure no parts are missing by referencing the illustrations on these Installation Instructions. Please contact Blackjack Lighting at 847-941-0588 if any parts are missing or damaged. This product is suitable for DAMP locations.

PREPARATION

1. Remove the fixture from its box. Be careful not to kink the wires when unpacking the wire/ pendant assemblies(19).
2. Remove the back housing(23) from the canopy cover(11) by loosening the two decorative nuts(12). Also remove the back housing(23) from the driver end feed housing(27).

MOUNTING

3. Place the ceiling plate(10) over the outlet box(1). Drill two support holes using the appropriately sized drill bit. Then attach the Solo back housing(23) by inserting the provided ceiling anchors(20) into the ceiling. First screw the anchor screws(21) halfway into the ceiling anchors(20), then further attach the back housing(23) to the ceiling by using the two mounting screws(9). Before fully tightening, attach joiner bracket (included with end driver feed assembly) to the Solo back housing(23) and the end driver feed(27). Afterward fully tighten all anchor screws(21).
4. Pull the supply wires(2&4) and the house ground wire(6) out of the outlet box(1) and thread them through the large center hole in ceiling plate(10)
5. Temporarily suspend the canopy cover(11) from the back housing(23) by attaching the loop(17) to the mating hooks(16).

ELECTRICAL CONNECTIONS

6. Using the wire connectors(8), connect the white supply wire(2) to the white fixture wire(3); connect the black supply wire(4) to the black fixture wire(5); and connect the house ground wire(6) to the fixture ground wire(7). Then attach front cover of the end driver feed(27) making sure that the low voltage power output is sticking out of one end of housing toward the fixture.
7. Determine the appropriate length of each suspension cable (if in doubt about exact length needed, leave a little extra cable until final installation of the canopy cover(11)). Push the excess cable up into the canopy by pressing the small barrel of the gripper(18) upward. This will release the cable tension and allow the suspended cable to be pulled through gripper(18). Roll excess cable into a small loop inside the canopy. Wrap the supplied Velcro strap around this loop to keep the excess cable from falling outside the canopy cover(11).
8. Attach the low voltage power feed by plugging in the female connector(24) from the driver(13) to the male connector(25) from the pendant wire harness(26).

FINAL ASSEMBLY

9. Make sure all of the wires are carefully placed inside the canopy cover(11). Secure the canopy cover(11) to the back housing(23) by tightening the two decorative nuts(12) onto the outward screws(15).
10. Once the canopy is in place, fine tune the cable lengths longer or shorter to get each pendant adjusted to its preferred length by adjusting the gripper(18).
11. Once the length of each wire has been established, any remaining bends or kinks in the wire can be straightened by bending out the kinks by hand while heating the cord up with the warm air from a hair dryer or heat gun.

DIMMING

Fixture Dimming Type: TRIAC / ELV 0-10V dimmable. For recommended dimmers see blackjacklighting.com.

HARDWARE



Wire Connector (#8)
Qty. Included: 3



Mounting Screw (#9)
Qty. Included: 2



Decorative Thumbscrew (12)
Qty. Included: 2



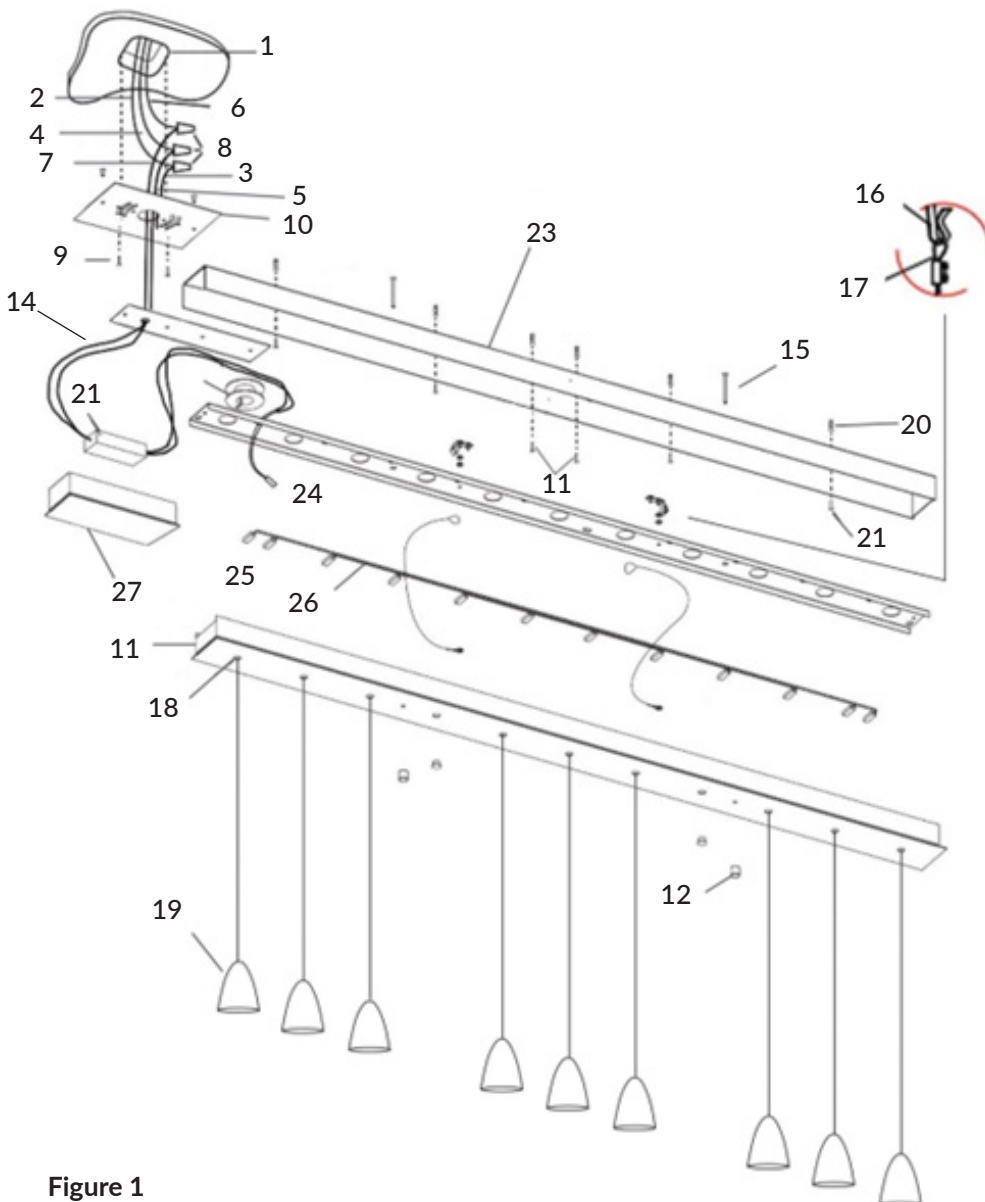
Screw (#15)
Qty. Included: 2



Anchor (#20)
Qty. Included: 6



Anchor Screw (#21)
Qty. Included: 6



1. OUTLET BOX (BY OTHERS)
2. WHITE SUPPLY WIRE
3. WHITE FIXTURE WIRE
4. BLACK SUPPLY WIRE
5. BLACK FIXTURE WIRE
6. HOUSE GROUND WIRE
7. FIXTURE GROUND WIRE
8. WIRE CONNECTORS
9. MOUNTING SCREWS
10. CEILING PLATE
11. CANOPY COVER
12. DECORATIVE NUT
13. DRIVER
14. DRIVER INPUT LINE VOLTAGE WIRE
15. OUTWARD SCREWS
16. HOOK
17. LOOP
18. GRIPPER
19. PENDANT
20. ANCHOR
21. ANCHOR SCREW
22. WIRE SPOOL
23. BACK HOUSING
24. FEMALE CONNECTOR
25. MALE CONNECTOR
26. WIRE HARNESS FOR PENDANTS
27. END DRIVER FEED HOUSING

Figure 1