

## LINO 14" SCONCE

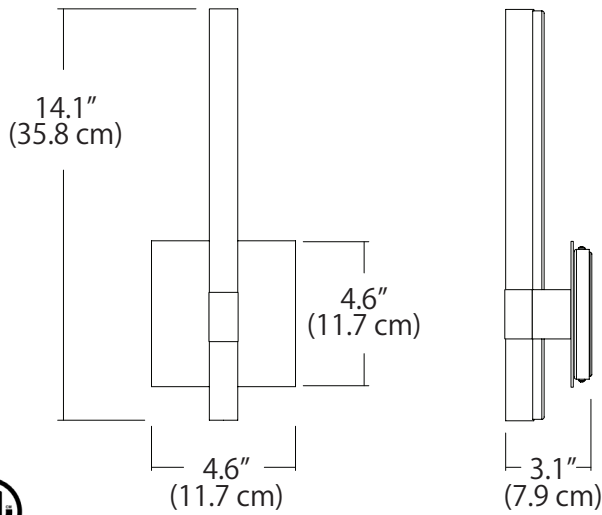


### SPECIFICATIONS

Finish	Satin Nickel (Standard) Matte Black, Bronze, and Satin Gold (Special Order)
LED Color Temperature	3000K (standard) 2700K, 3500K, or 4000K also available
Fixture Wattage	11 Watts
Delivered Lumens	916 Lm (measured at 3000K)
Dimming	TRIAC Dimming (Standard) Universal (TRIAC, ELV, 0-10V) (Special Order)
Color Rendering Index	90CRI
Input Voltage	120VAC - 50/60Hz
Pendant Dimensions	14.1"H x 4.6"W x 3.1"D

### CUSTOM OPTIONS

See page 2 for finish and backplate options.



(Shown with standard S4 backplate)



(Shown in Satin Nickel)



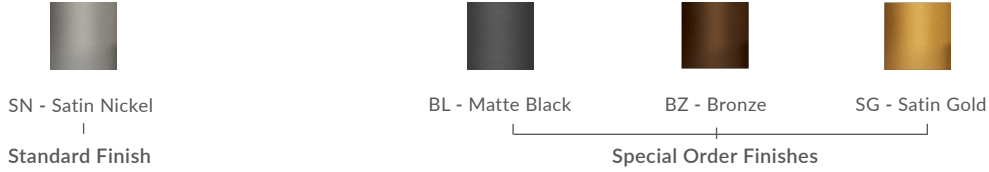
**QUICK SHIP**

### ORDERING GUIDE

SERIES	SIZE	FINISH	VOLTS / DIMMING	CCT	OUTPUT	BACKPLATE
<b>LIN</b>	<b>14S</b>					
LIN Lino	14S 14" Sconce	Standard SN - Satin Nickel Special Order BL - Matte Black BZ - Bronze SG - Satin Gold	Standard 12T 120VAC TRIAC Dimming Special Order 27U - 12-277VAC (0-10V Dimming)	27K - 2700K 30K - 3000K 35K - 3500K 40K - 4000K (30K Standard)	SO Standard Output	S4 - 4.6" Shallow Backplate (Standard) (Driver located inside J-Box) DB - Deep Backplate (Special Order) (Driver located inside Backplate)

Example Part Number: LIN - 14S - SN - 12T - 30K - SO - S4

## Socket Color



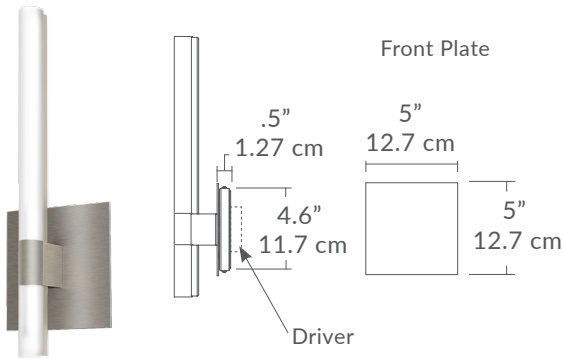
## Volts / Dimming

**12T:** Input: 120V . Dimming: TRIAC (Standard)  
**27U:** Input: 120-277V . Dimming: TRIAC/ ELV/ 0-10V (Deep Backplate Only) (Special Order)

## Color Temperature

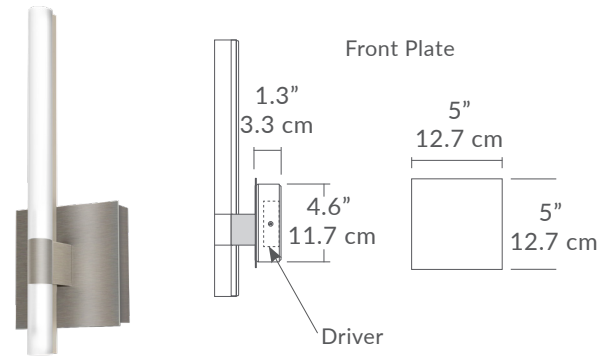
**27K:** 2700K  
**30K:** 3000K (Standard)  
**35K:** 3500K  
**40K:** 4000K

## Backplates



S4 - Shallow 4.6" Backplate - (4.6"H , 4.6"W , .5"D)  
 Driver located inside J-Box

### Shallow Backplate



DB - Deep Backplate - (4.6"H , 4.6"W , 1.3"D)  
 Driver located inside Backplate

### Deep Backplate