

NANO 14" SCONCE

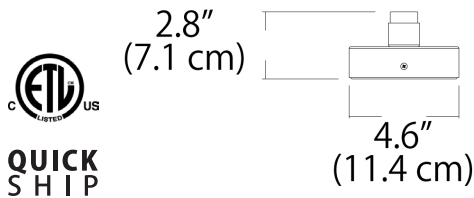
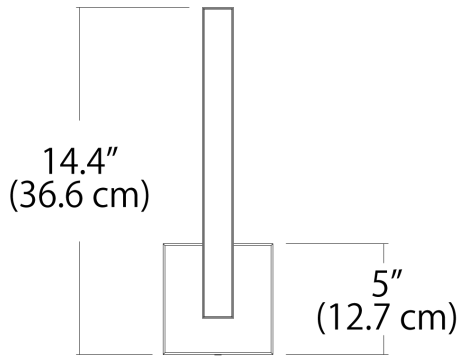


SPECIFICATIONS

Finish	Satin Nickel or Polished Chrome (Standard) Matte Black, Bronze, and Satin Gold (Special Order)
LED Color Temperature	3000K (standard) 2700K, 3500K, or 4000K also available
Fixture Wattage	14 Watts
Delivered Lumens	757 Lm (measured at 3000K)
Dimming	TRIAC Dimming (Standard) Universal (TRIAC, ELV, 0-10V) (Special Order)
Color Rendering Index	90CRI
Input Voltage	120VAC - 50/60Hz
Pendant Dimensions	14.4"H x 4.6"W x 2.8"D

CUSTOM OPTIONS

See page 2 for finish and backplate options.



**QUICK
SHIP**



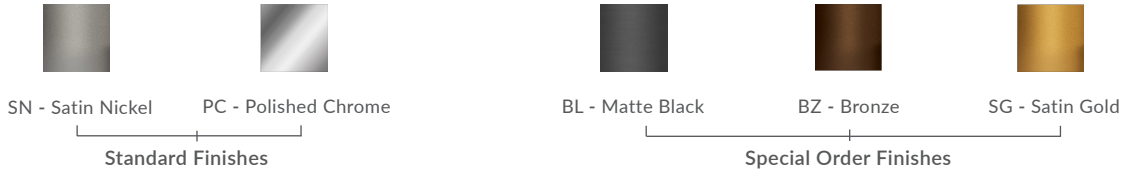
(Shown in Satin Nickel
with Deep Backplate)

ORDERING GUIDE

SERIES	SIZE	FINISH	VOLTS / DIMMING	CCT	OUTPUT	BACKPLATE
NAN	14S				SO	
NAN Nano	14S 14" Sconce	Standard SN - Satin Nickel PC - Polished Chrome Special Order BL - Matte Black BZ - Bronze SG - Satin Gold	Standard 12T 120VAC TRIAC Dimming Special Order 27U - 12-277VAC (0-10V Dimming)	27K - 2700K 30K - 3000K 35K - 3500K 40K - 4000K (30K Standard)	SO Standard Output	S4 - 4.6" Shallow Backplate (Standard) (Driver located inside J-Box) DB - Deep Backplate (Special Order) (Driver located inside Backplate)

Example Part Number: NAN - 14S - SN - 12T - 30K - SO - S4

Socket Color



Volts / Dimming

27U: Input: 120-277V , Dimming: TRIAC/ ELV/ 0-10V (Deep Backplate Only) (Standard)

12T: Input: 120V , Dimming: TRIAC (Special Order)

Color Temperature

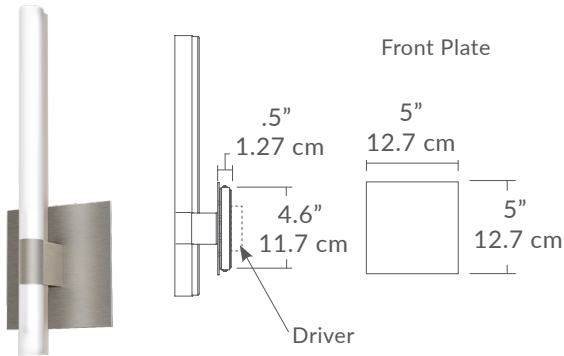
27K: 2700K

30K: 3000K (Standard)

35K: 3500K

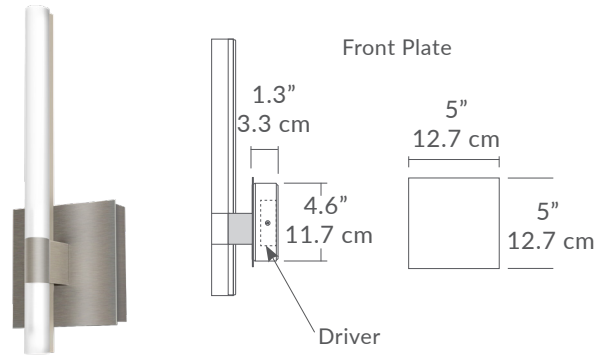
40K: 4000K

Backplates



S4 - Shallow 4.6" Backplate - (4.6"H , 4.6"W , .5"D)
 Driver located inside J-Box

Shallow Backplate



DB - Deep Backplate - (4.6"H , 4.6"W , 1.3"D)
 Driver located inside Backplate

Deep Backplate