



CAUTION

Turn off the main power at the circuit breaker before installing the fixture in order to prevent possible shock. If you are unfamiliar with proper electrical wiring connections, obtain the services of a qualified electrician.

GENERAL

Read all instructions carefully for safe operation and installation.

All electrical connections must be in accordance with local and national electrical code (N.E.C.) standards.

Remove the fixture and mounting package from the box. Make sure no parts are missing by referencing the illustrations on these Installation Instructions. Please contact Blackjack Lighting at 847-941-0588 if any parts are missing or damaged.

This product is suitable for DAMP locations.

PREPARATION

1. Carefully remove the fixture from its box.
2. Fit brim(19) over pendant threads(18) and screw the light guide pendant(18) into the socket(17) with the brim(19) fitting securely in between.
3. To remove the ceiling plate(10) from the canopy faceplate(11) first loosen the thumbscrew(12), then push the canopy housing up and twist to the left.
4. Pull the supply wires(2&4) and the house ground wire(6) from the outlet box(1).

ELECTRICAL CONNECTIONS

5. Using the wire connectors(8), connect the white supply wire(2) to the white fixture wire(3); connect the black supply wire(4) to the black fixture wire(5); and connect the house ground wire(6) to the fixture ground wire(7).

MOUNTING

6. Once all the wires are connected carefully wind them up and secure with the included twist ties. Then place the wires back into the outlet box(1). Secure the ceiling plate(10) to the outlet box(1) by inserting the mounting screws(9) through the holes in the ceiling plate(10) and screwing them into the outlet box(1).

FINAL ASSEMBLY

7. Adjust the pendant cable(16) to the desired length (if in doubt about exact length needed, leave a little extra cable until the final installation of the canopy faceplate(11)). Push the excess cable up into the canopy by pressing the small barrel of the gripper(15) upward. This will release the wire tension and allow the suspended cable to be pulled through gripper(15). Wind the excess cable(16) around the u-bracket(14) located in the canopy faceplate(11). Wrap the supplied Velcro strap around this loop to keep the excess cable from falling outside of it. Then attach low voltage power feed by plugging in the wire connector(8) from the driver(13) to the male connector from the pendant cable(16). Secure the wiring U-bracket (14) to the canopy faceplate(11) with the included mounting screws(9).
8. Secure the canopy faceplate(11) to the ceiling plate(10) by first aligning the canopy faceplate(11) cut outs with the ceiling plate(10) tabs then pushing the canopy faceplate(11) up over the ceiling plate(10) and twisting to the right. Lastly secure them together with the thumbscrew(12).

DIMMING

Fixture Dimming Type: TRIAC or ELV dimming. For recommended dimmers see blackjacklighting.com.

HARDWARE



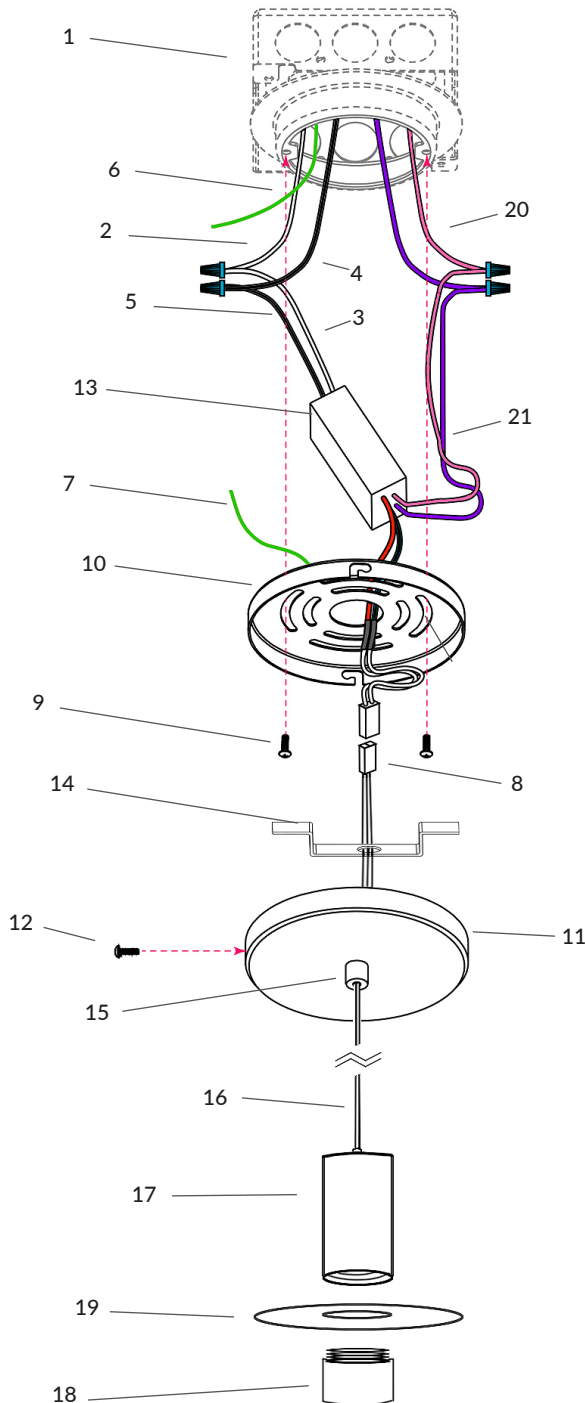
Wire Connector (#8)
(4) Included



Mounting Screw (#9)
(2) Included



Thumbscrew (#12)
(1) Included



1. OUTLET BOX (BY OTHERS)
2. WHITE SUPPLY WIRE
3. WHITE FIXTURE WIRE
4. BLACK SUPPLY WIRE
5. BLACK FIXTURE WIRE
6. HOUSE GROUND WIRE
7. FIXTURE GROUND WIRE
8. WIRE CONNECTORS
9. MOUNTING SCREWS
10. CEILING PLATE
11. CANOPY FACEPLATE
12. THUMBSCREW
13. DRIVER
14. U-BRACKET
15. GRIPPER
16. CABLE
17. PENDANT BODY
18. LIGHT GUIDE
19. STEEL BRIM
20. PURPLE AND PINK SUPPLY DIMMING WIRES (OPTIONAL)
21. PURPLE AND PINK DRIVER DIMMING WIRES (OPTIONAL)