



CAUTION

Turn off the main power at the circuit breaker before installing the fixture in order to prevent possible shock. If you are unfamiliar with proper electrical wiring connections, obtain the services of a qualified electrician.

GENERAL

Read all instructions carefully for safe operation and installation.

All electrical connections must be in accordance with local and national electrical code (N.E.C.) standards.

Remove the fixture and mounting package from the box. Make sure no parts are missing by referencing the illustrations on these Installation Instructions. Please contact Blackjack Lighting at 847-941-0588 if any parts are missing or damaged.

This product is suitable for DAMP locations.

INSTALLATION FOR SP5 CANOPY (DRIVER ON TOP OF 5" CANOPY)

PREPARATION

1. Carefully remove the fixture from its box.
2. Screw the diffuser(19) into the socket cap(18).
3. To remove the ceiling plate(10) from the canopy cover(11) first loosen the thumbscrew(12), then push the canopy housing up and twist to the left.
4. Pull the supply wires(2&4) and the house ground wire(6) from the outlet box(1).

ELECTRICAL CONNECTIONS

5. Using the wire connectors(8), connect the white supply wire(2) to the white fixture wire(3); connect the black supply wire(4) to the black fixture wire(5); and connect the house ground wire(6) to the fixture ground wire(7).

MOUNTING FOR SP5 CANOPY (see page 3 for SP2 / Remote Driver)

6. Once all the wires are connected carefully push them together and secure them inside the outlet box(1). Secure the ceiling plate(10) to the outlet box(1) by sliding the mounting screws(11) through the holes in the ceiling plate(10) and screwing them into the outlet box(1).

FINAL ASSEMBLY

7. Adjust the pendant cable(17) to the desired length (if in doubt about exact length needed, leave a little extra cable until the final installation of the canopy cover(11)). Push the excess cable up into the canopy by pressing the small barrel of the gripper(14) upward. This will release the wire tension and allow the suspended cable to be pulled through gripper(14). Wind the excess cable(19) around the u-bracket(15) located in the canopy cover(11). Wrap the supplied Velcro strap around this loop to keep the excess cable from falling outside of it. Then attach low voltage power feed by plugging in the female connector(16) from the driver(13) to the male connector from the pendant cable(19). Secure the wiring barrier plate(14) to the canopy cover(11) with the included screws(17).
8. Secure the canopy cover(11) to the ceiling plate(10) by first aligning the canopy(11) cut outs with the ceiling plate(10) tabs then pushing the canopy cover(11) up over the ceiling plate(10) and twisting to the right. Lastly secure them together with the thumbscrew(12).

DIMMING: TRIAC or ELV dimming. For more information, see blackjacklighting.com.

HARDWARE



Wire Connector (#9)
(1) Included



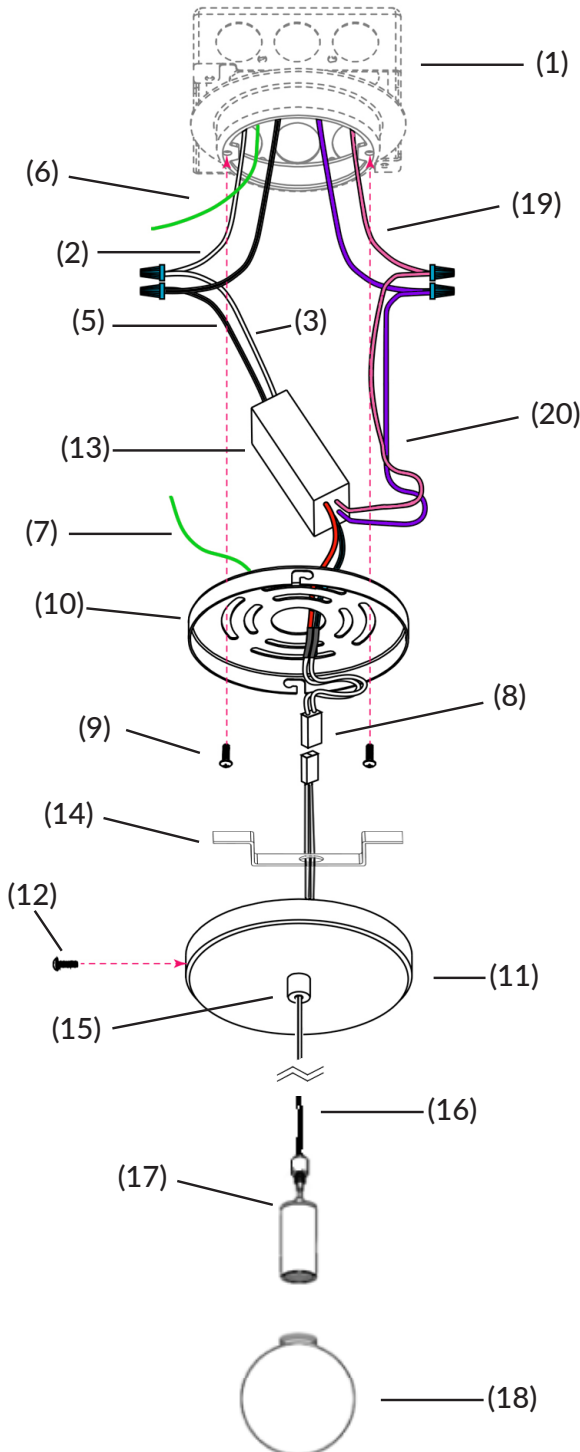
Mounting Screw (#11)
(2) Included



Thumbscrew (#13)
(1) Included



Screws (#16)
(2) Included



1. OUTLET BOX (BY OTHERS)
2. WHITE SUPPLY WIRE
3. WHITE FIXTURE WIRE
4. BLACK SUPPLY WIRE
5. BLACK FIXTURE WIRE
6. HOUSE GROUND WIRE
7. FIXTURE GROUND WIRE
8. WIRE CONNECTORS
9. MOUNTING SCREWS
10. CEILING PLATE
11. CANOPY FACEPLATE
12. THUMBSCREW
13. DRIVER
14. U-BRACKET
15. GRIPPER
16. CABLE
17. SOCKET CAP
18. ACRYLIC GLOBE DIFFUSER
19. PURPLE AND PINK FIXTURE DIMMING WIRES (OPTIONAL)
20. PURPLE AND PINK DRIVER DIMMING WIRES (OPTIONAL)

INSTALLATION FOR SP2 CANOPY (REMOTE DRIVER with 2.5" CANOPY)

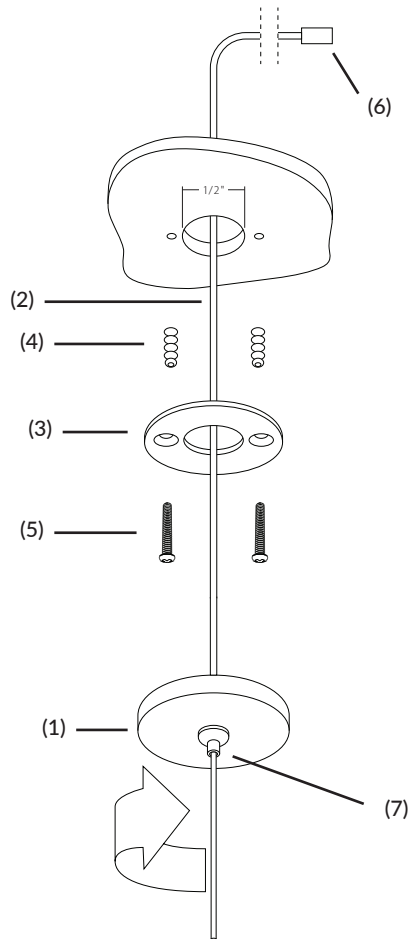
NOTE: Fixture must be mounted to rigid ceiling material (sheet rock, fire rated plywood or similar) that can support the weight of the fixture and accept drywall anchors, expandable fasteners or similar structural fasteners.

NOTE: Recommended hole diameter for the ceiling hole is 1/2" but not bigger than 3/4".

1. Each pendant has two mounting screws(5) that require an anchor(4) to be mounted into the ceiling material (screws and anchors to be provided by final installer).
2. Ceiling top plate(3) has two holes for mounting with threads on the sides, to be used to mount the bottom housing(1).
3. Install the gripper(7) in the mounting hole in the canopy cover. Pull the coaxial cable through the gripper to determine the desired height of pendant.
4. The bottom housing(1) screws onto the top ceiling plate(3).
5. Each pendant has at least 8' of wire to connect to the remote driver (no cutting/splicing required).
6. Each pendant has a male modular plug(6) located at the end, to be plugged into the wire harness attached to the remote driver.

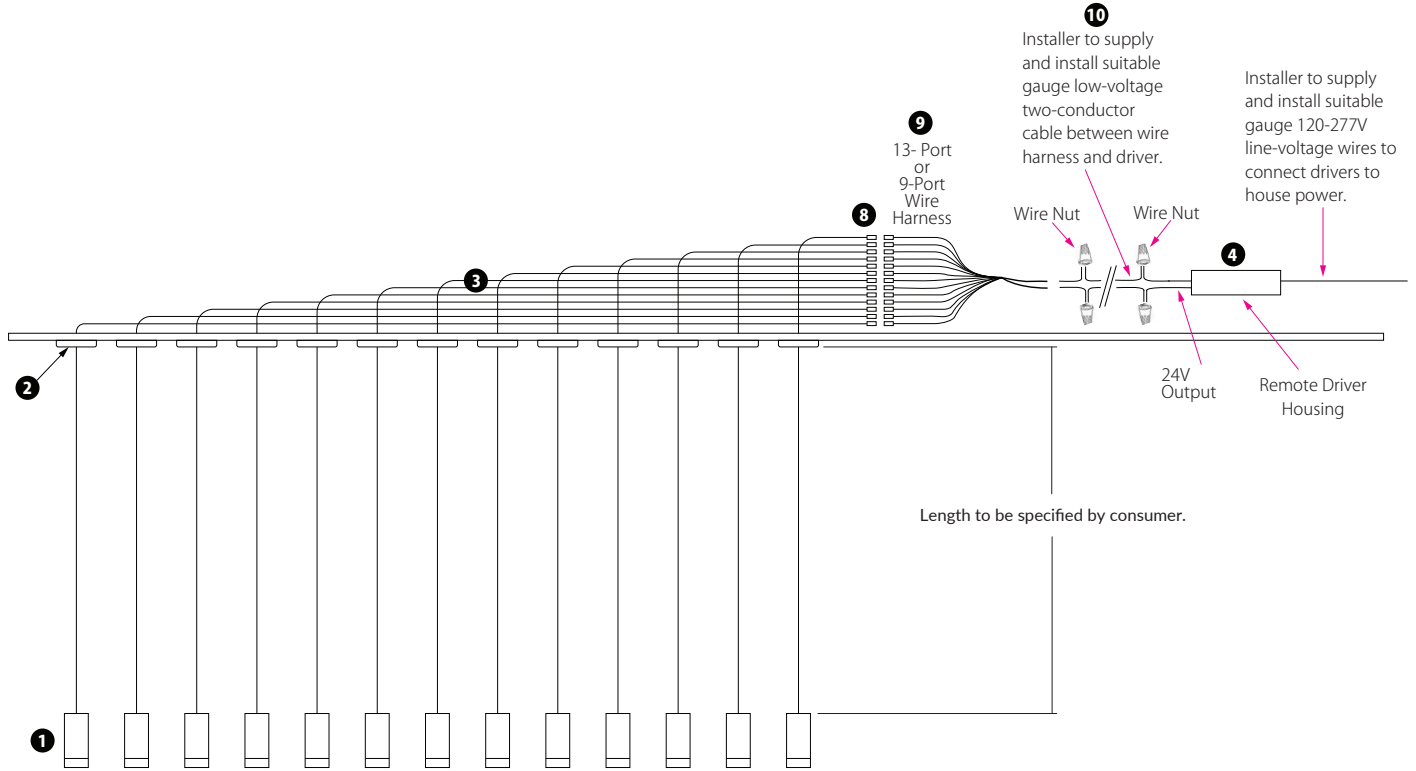
DIMMING: TRIAC or ELV dimming. For more information, see blackjacklighting.com.

Questions? Please contact Blackjack Lighting at 847-941-0588.



- | | |
|----|---------------------|
| 1. | Bottom housing |
| 2. | Wire/Cable |
| 3. | Ceiling top plate |
| 4. | Anchors (by others) |
| 5. | Mounting screws |
| 6. | Male modular plug |
| 7. | Gripper |

GENERAL WIRING DIAGRAM FOR SP2 CANOPY (REMOTE DRIVER with 2.5" CANOPY)



- 1 Pendant
- 2 Fascia Canopy
- 3 Each pendant has 12' of wire to connect to the remote driver and suspend the pendant.
- 4 Universal 96W Driver inside of a remote housing (120-277V, TRIAC, ELV, and 0-10V dimming) driver located in remote housing.
- 8 Power disconnect. Each pendant has a power disconnect located at the end, to be plugged into the wire harness attached to the driver.
- 9 13-port or 9-port wire harness.
- 10 Two-conductor low voltage cable (provided by others)
For more information, go to blackjacklighting.com
- click on "Resources"
- click on "Technical Resources"
- click on "Voltage & Dimming"