



A-Lamp - SP-LGD-AL-03  
 Bubble - SP-LGD-BU-01  
 Candle - SP-LGD-CA-01  
 Clear Point - SP-LGD-XY-03  
 Color Gel - SP-LDG-CGL-03  
 Gradient - SP-LGD-GR-01  
 Mushroom - SP-LGD-MU-02  
 Saucer - SP-LGD-SC-045  
 Short Frosted - SP-LGD-SF-01  
 Tall Clear - SP-LGD-TC-01  
 Tall Frosted - SP-LGD-TF-01

## CAUTION

Turn off the main power at the circuit breaker before installing the fixture in order to prevent possible shock. If you are unfamiliar with proper electrical wiring connections, obtain the services of a qualified electrician.

## GENERAL

Read all instructions carefully for safe operation and installation.

All electrical connections must be in accordance with local and national electrical code (N.E.C.) standards.

Remove the fixture and mounting package from the box. Make sure no parts are missing by referencing the illustrations on these Installation Instructions. Please contact BlackJack Lighting at 847-941-0588 if any parts are missing or damaged.

This product is suitable for DAMP locations.

## INSTALLATION FOR SP5 CANOPY (DRIVER ON TOP OF 5" CANOPY)

### PREPARATION

1. Carefully remove the fixture from its box.
2. Then screw the light guide pendant(21) into the socket(20).
3. To remove the canopy cover(13) from the ceiling plate(11) first loosen the thumbscrew(14), then push the canopy cover(13) up and twist to the left.
4. Pull the black and white supply wires (4 & 5) and house ground wire(9) from the outlet box(1).

### ELECTRICAL CONNECTIONS

5. Connect the low voltage modular connector from driver(16) to the low voltage modular connector from pendant(17); then connect the house ground wire(9) to the fixture ground wire(10).

### MOUNTING FOR SP5 CANOPY (see page 3 for SP2 / Remote Driver)

6. Once all the wires are connected carefully push them together and secure them inside the outlet box(1). Secure the ceiling plate(11) to the outlet box(1) by sliding the mounting screws(12) through the holes in the ceiling plate(11) and screwing them into the outlet box(1).

### FINAL ASSEMBLY

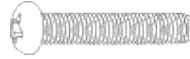
7. Adjust the pendant cable(18) to the desired length (if in doubt about exact length needed, leave a little extra cable until the final installation of the canopy cover(13)). Push the excess cable(18) up into the canopy cover(13) by pressing the small barrel of the gripper(15) upward. This will release the cable tension and allow the suspended cable(18) to be pulled through gripper(15). Wind the excess cable inside the canopy cover(13). Wrap any excess cable together to prevent it from falling outside of the canopy. Then attach the low voltage power feed by plugging in the female connector(16) coming from the driver(8) to the male connector coming from the pendant cable(18).
8. Secure the canopy cover(13) to the ceiling plate(11) by first aligning the canopy cut outs with the ceiling plate(11) tabs then pushing the canopy cover(13) up over the ceiling plate(11) and twisting to the right. Lastly secure them together with the thumbscrew(14).
9. Screw in the light guide(21) to secure in place.

**DIMMING:** TRIAC or ELV dimming. For more information, see [blackjacklighting.com](http://blackjacklighting.com).

## HARDWARE



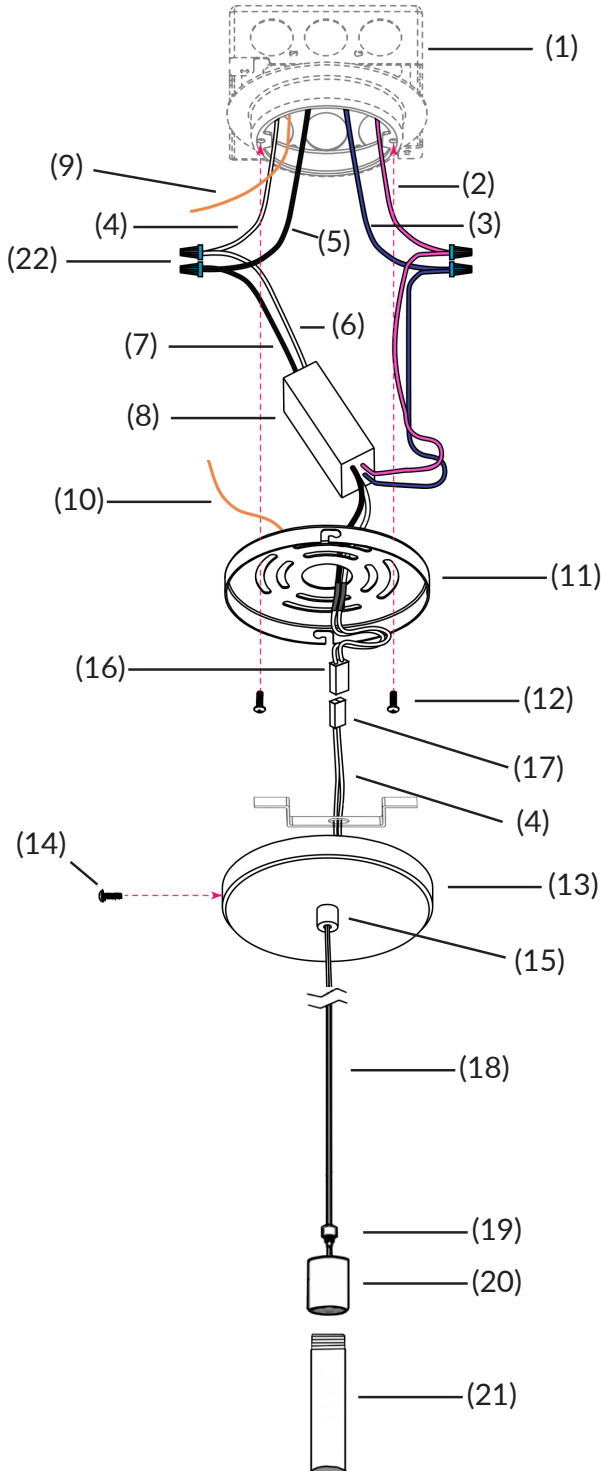
**Wire Connector (#9)**  
(2) Included



**Mounting Screw (#11)**  
(2) Included



**Thumbscrew (#13)**  
(1) Included



1. OUTLET BOX (By Others)
2. PINK DIMMING WIRE (Optional)
3. PURPLE DIMMING WIRE (Optional)
4. WHITE SUPPLY WIRE
5. BLACK SUPPLY WIRE
6. WHITE FIXTURE WIRE
7. BLACK FIXTURE WIRE
8. DRIVER
9. HOUSE GROUND WIRE
10. FIXTURE GROUND WIRE
11. CEILING PLATE
12. MOUNTING SCREWS
13. CANOPY COVER
14. THUMBSCREW
15. GRIPPER
16. LOW VOLTAGE MODULAR CONNECTOR (From Driver)
17. LOW VOLTAGE MODULAR CONNECTOR (From Pendant)
18. CABLE
19. SOCKET CAP
20. SOCKET
21. LIGHT GUIDE PENDANT
22. WIRE CONNECTORS

**INSTALLATION FOR SP2 CANOPY (REMOTE DRIVER with 2.5" CANOPY)**

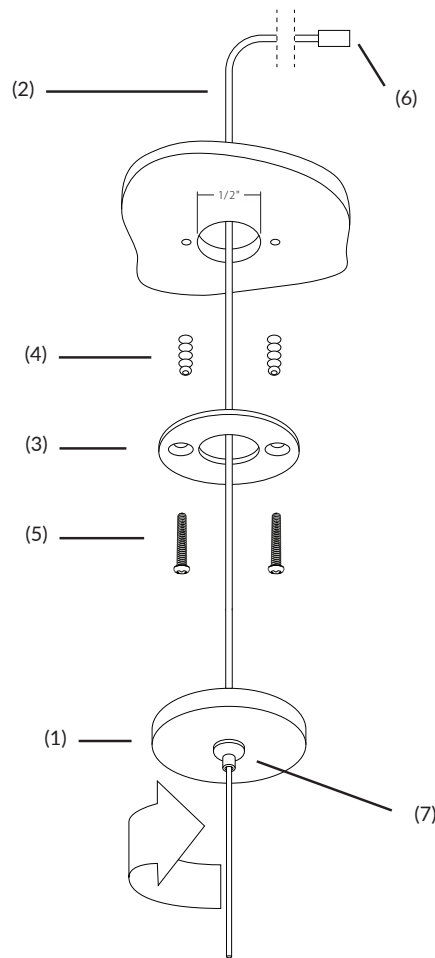
**NOTE:** Fixture must be mounted to rigid ceiling material (sheet rock, fire rated plywood or similar) that can support the weight of the fixture and accept drywall anchors, expandable fasteners or similar structural fasteners.

**NOTE:** Recommended hole diameter for the ceiling hole is 1/2" but not bigger than 3/4".

1. Each pendant has two mounting screws(5) that require an anchor(4) to be mounted into the ceiling material (screws and anchors to be provided by final installer).
2. Ceiling top plate(3) has two holes for mounting with threads on the sides, to be used to mount the bottom housing(1).
3. Install the gripper(7) in the mounting hole in the canopy cover. Pull the coaxial cable through the gripper to determine the desired height of pendant.
4. The bottom housing(1) screws onto the top ceiling plate(3).
5. Each pendant has at least 8' of wire to connect to the remote driver (no cutting/splicing required).
6. Each pendant has a male modular plug(6) located at the end, to be plugged into the wire harness attached to the remote driver.

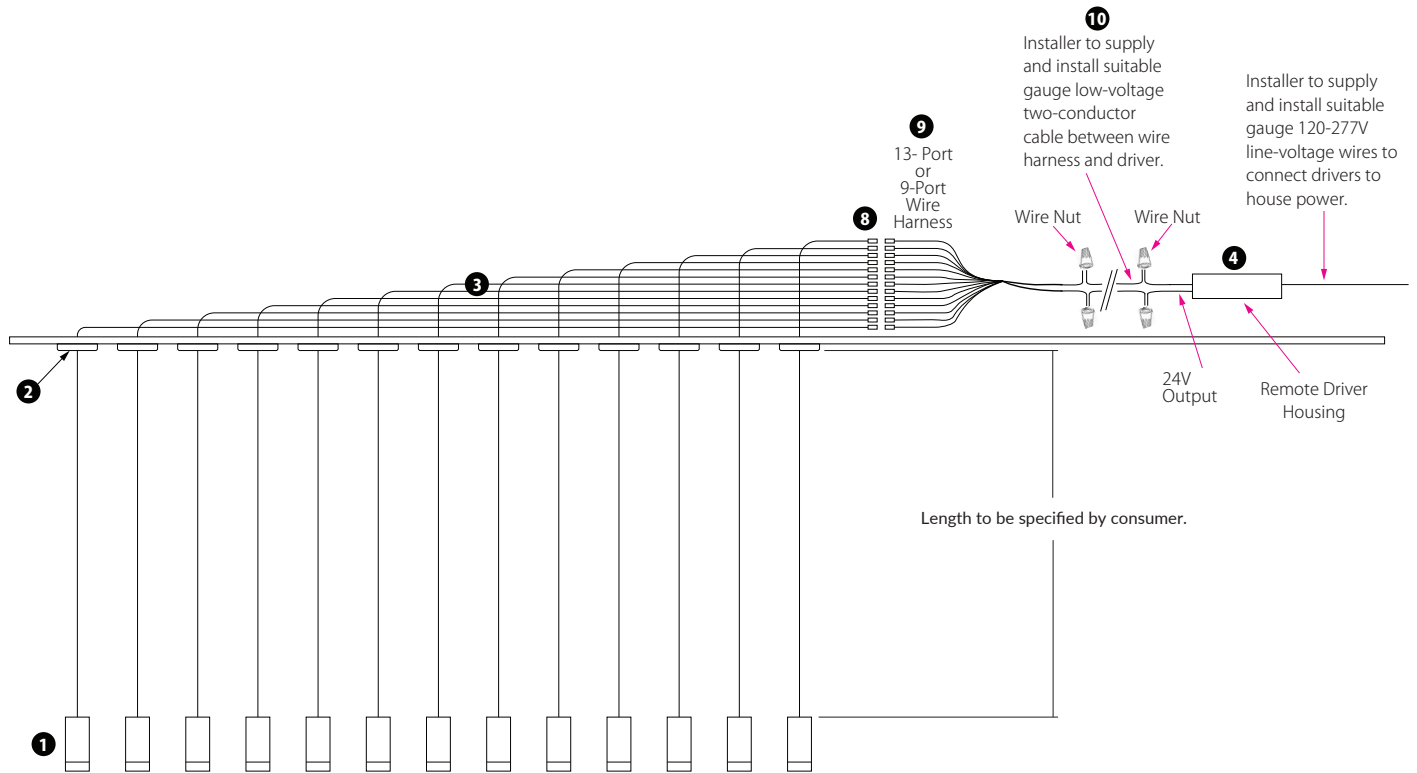
**DIMMING:** TRIAC or ELV dimming. For more information, see [blackjacklighting.com](http://blackjacklighting.com).

Questions? Please contact Blackjack Lighting at 847-941-0588.



- |                        |
|------------------------|
| 1. BOTTOM HOUSING      |
| 2. WIRE/CABLE          |
| 3. CEILING TOP PLATE   |
| 4. ANCHORS (BY OTHERS) |
| 5. MOUNTING SCREWS     |
| 6. MALE MODULAR PLUG   |
| 7. GRIPPER             |

**GENERAL WIRING DIAGRAM FOR SP2 CANOPY (REMOTE DRIVER with 2.5" CANOPY)**



- 1 Pendant
- 2 Fascia Canopy
- 3 Each pendant has 12' of wire to connect to the remote driver and suspend the pendant.
- 4 Universal 96W Driver inside of a remote housing (120-277V, TRIAC, ELV, and 0-10V dimming) driver located in remote housing.
- 8 Power disconnect. Each pendant has a power disconnect located at the end, to be plugged into the wire harness attached to the driver.
- 9 13-port or 9-port wire harness.
- 10 Two-conductor low voltage cable (provided by others)  
*For more information, go to [blackjacklighting.com](http://blackjacklighting.com)*  
*- click on "Resources"*  
*- click on "Technical Resources"*  
*- click on "Voltage & Dimming"*