



### CAUTION

Turn off the main power at the circuit breaker before installing the fixture in order to prevent possible shock. If you are unfamiliar with proper electrical wiring connections, obtain the services of a qualified electrician.

### GENERAL

Read all instructions carefully for safe operation and installation.

All electrical connections must be in accordance with local and national electrical code (N.E.C.) standards. Remove the fixture and mounting package from the box. Make sure no parts are missing by referencing the illustrations on these Installation Instructions.

Please contact Blackjack Lighting at 847-941-0588 if any parts are missing or damaged.

This product is suitable for DAMP locations.

### PREPARATION

1. Remove the fixture from its box. Carefully unpack the bundled wire packages. Be careful not to bend or kink the wires when unpacking them. Remove the additional package of decorative light guides(22).
2. Remove the ceiling plate(10) from the canopy cover(11) by loosening the four decorative nuts(12).

### MOUNTING

3. Pull the supply wires(2&4) and the house ground wire(6) out of the outlet box(1) and thread them through the large center hole in the ceiling plate(10)
4. Place the ceiling plate(10) over the outlet box(1) and mark where to drill for the two anchor holes. Drill two anchor support holes using the appropriately sized drill bit. Insert the provided anchors(16) into the holes. First screw the anchor screws(17) halfway into the anchors, then further attach the ceiling plate(10) to the outlet box(1) using the two mounting screws(9). Then fully tighten all the anchor screws(17).
5. Temporarily suspend the canopy cover(11) from the ceiling plate(10) by attaching loop(14) to the mating hooks(13).

### ELECTRICAL CONNECTIONS

6. Using the wire connectors(8), connect the white supply wire(2) to the white fixture wire(3); connect the black supply wire(4) to the black fixture wire(5); and connect the house ground wire(6) to the fixture ground wire(7). Tuck all the wires back into the outlet box(1).

### FINAL ASSEMBLY

7. To install the light guides first screw the color gel(19) into the socket(18), then screw the short frosted light guide(20) into the color gel(19).
8. Determine the appropriate length of each suspension cable (if in doubt about exact length needed, leave a little extra cable until the final installation of the canopy cover(11)). Push the excess cable up into the canopy by pressing the small barrel of the gripper(15) upward. This will release the cable tension and allow the suspended cable to be pulled through gripper(15). Roll the excess cable into a small loop inside the canopy. Wrap the supplied Velcro strap around this loop to keep the excess cable from falling outside of the canopy cover (11).
9. Make sure all of the cables are carefully placed inside canopy cover(11). To secure the canopy cover(11) to the ceiling plate(10) align the holes on the bottom of the canopy cover(11) with the outlet screws(21) attached to the ceiling plate(10). Then tighten the four decorative nuts(12) over the outward screws(21).
10. Once the canopy(11) is in place, fine tune the cable lengths longer or shorter to get each light guide(20) adjusted to its preferred length by adjusting the gripper(15).
11. Once the length of each cable has been established, any remaining bends or kinks in the cable can be straightened by bending out the kinks by hand while heating the cord up with the warm air from a hair dryer or heat gun.

**DIMMING:** Fixture Dimming Type: TRIAC, ELV, 0-10V dimmable. For recommended dimmers see [blackjacklighting.com](http://blackjacklighting.com)

### HARDWARE



**Wire Connector (#8)**  
(3) Included



**Mounting Screw (#9)**  
(2) Included



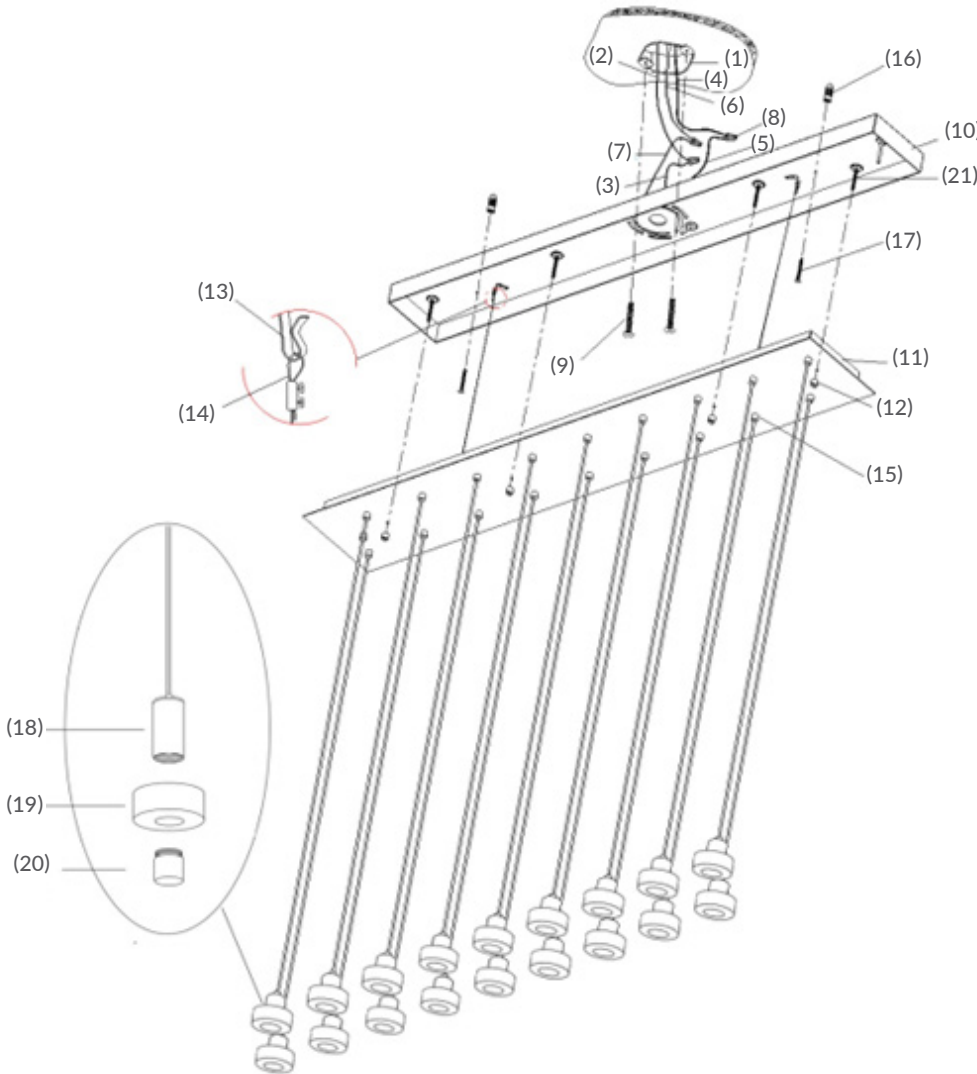
**Decorative Finial  
Screw (#12)**  
(4) Included



**Anchor (#16)**  
(2) Included



**Anchor Screw (#17)**  
(2) Included



1. OUTLET BOX (by others)
2. WHITE SUPPLY WIRE
3. WHITE FIXTURE WIRE
4. BLACK SUPPLY WIRE
5. BLACK FIXTURE WIRE
6. HOUSE GROUND WIRE
7. FIXTURE GROUND WIRE
8. WIRE CONNECTORS
9. MOUNTING SCREWS
10. CEILING PLATE
11. CANOPY COVER
12. DECORATIVE NUT
13. HOOK
14. LOOP
15. GRIPPER
16. ANCHOR
17. ANCHOR SCREW
18. SOCKET
19. COLOR GEL
20. LIGHT GUIDE
21. OUTWARD SCREWS