

CAUTION

Turn off the main power at the circuit breaker before installing the fixture in order to prevent possible shock. If you are unfamiliar with proper electrical wiring connections, obtain the services of a qualified electrician.

GENERAL

Read all instructions carefully for safe operation and installation.

All electrical connections must be in accordance with local and national electrical code (N.E.C.) standards. Remove the fixture and mounting package from the box. Make sure no parts are missing by referencing the illustrations on these Installation Instructions.

Please contact Blackjack Lighting at 847-941-0588 if any parts are missing or damaged.

This product is suitable for DAMP locations.

PREPARATION AND ASSEMBLY

1. Remove the fixture from its box.
2. Attach two mounting screws(3) through side flange(1) then through rear housing(2).
3. Install locking nut(4) on inside of each mounting screw(4).
4. Adjust height of rear housing(2) by raising OR lowering height of side flange(1).
Tighten locking nut(4) when desired height is achieved.
5. Lower entire housing assembly(1)(2) and place over T-Bar Grid(4), ensuring that at least one hook of each side flange fits over the T-Bar support.
6. Install the front canopy assembly(6) to the rear housing(2) as per separate instruction sheet (e.g., C-MCS-24XX (9- or 25-port)).

HARDWARE



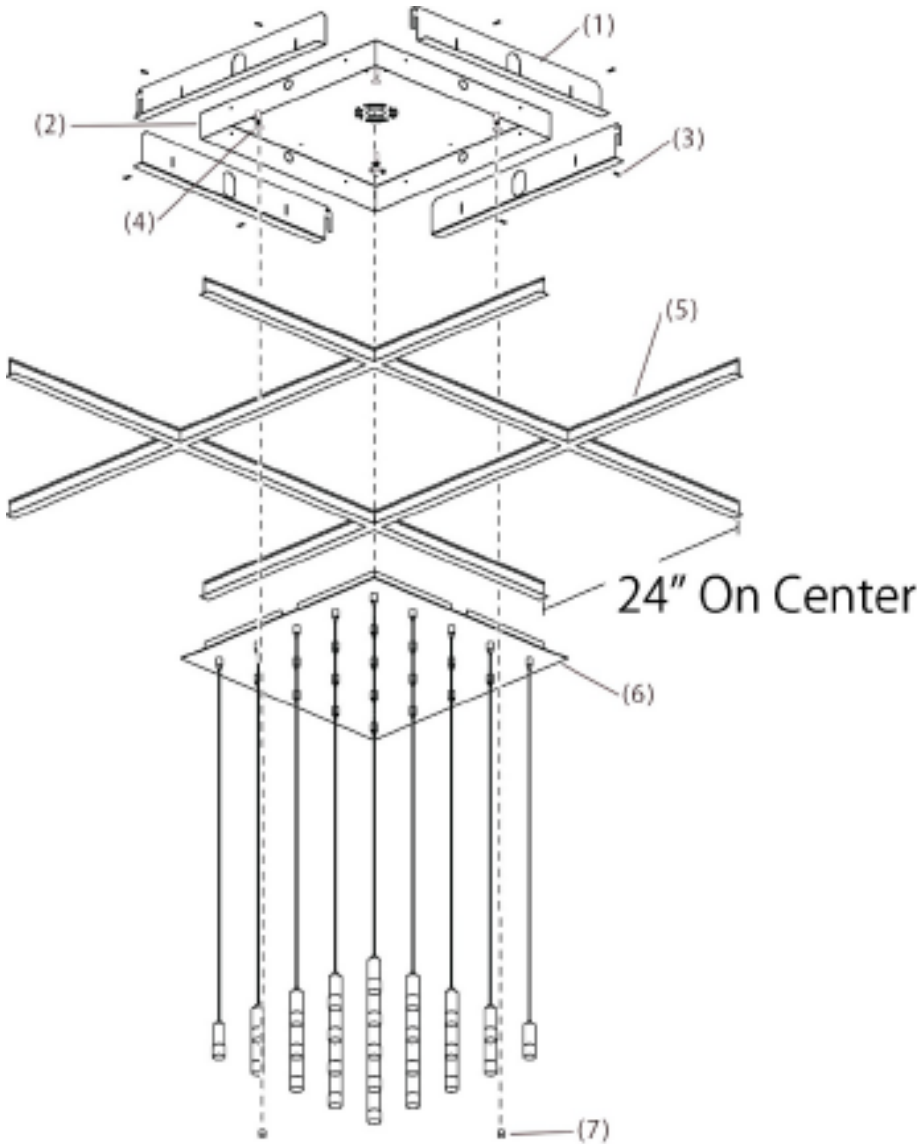
Mounting Screw (#3)
(3) Included



Decorative Finial Screw (#7)
(4) Included



Locking Nut (#4)
(8) Included



1. SIDE FLANGE
 2. REAR 24" x 24" HOUSING
 3. MOUNTING SCREW
 4. LOCKING NUT
 5. T-BAR CEILING SYSTEM
(by others)
 6. FRONT 24" x 24" CANOPY
- ASSEMBLY
7. DECORATIVE FINIAL
SCREWS