

**CAUTION**

Turn off the main power at the circuit breaker before installing the fixture in order to prevent possible shock. If you are unfamiliar with proper electrical wiring connections, obtain the services of a qualified electrician.

**GENERAL**

Read all instructions carefully for safe operation and installation.

All electrical connections must be in accordance with local and national electrical code (N.E.C.) standards.

Remove the fixture and mounting package from the box. Make sure no parts are missing by referencing the illustrations on these Installation Instructions. Please contact Blackjack Lighting at 847-941-0588 if any parts are missing or damaged.

This product is suitable for DAMP locations.

**PREPARATION**

1. Carefully remove the fixture from its box.
2. To remove the canopy backplate(14) from the canopy faceplate(17), first loosen the thumbscrew(18), then push the canopy housing up and twist to the left.
3. Pull the supply wires(2&4) and the house ground wire(10) from the junction box(1).

**ELECTRICAL CONNECTIONS**

4. Using the wire connectors(12), connect the white supply wire(2) to the white fixture wire(3); connect the black supply wire(4) to the black fixture wire(5); and connect the house ground wire(10) to the fixture ground wire(11).

**MOUNTING**

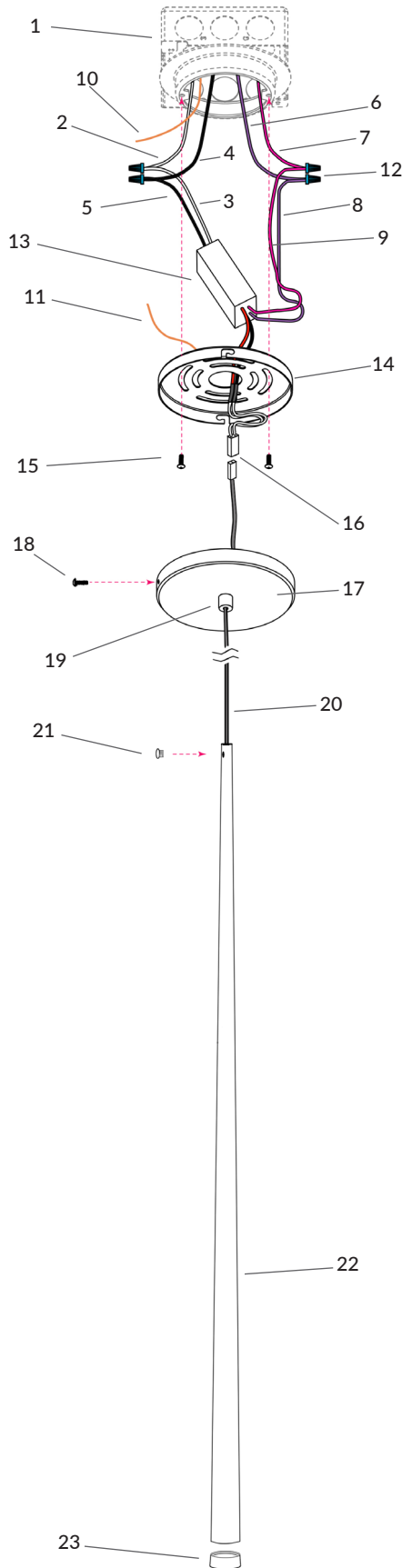
5. Once all the wires are connected carefully wind them up and secure with the included twist ties. Then place the wires back into the junction box(1). Secure the canopy backplate(14) to the junction box(1) by sliding the mounting screws(15) through the holes in the canopy backplate(14) and screwing them into the junction box(1).

**FINAL ASSEMBLY**

6. Adjust the pendant cable(20) to the desired length – if in doubt about exact length needed, leave a little extra cable until the final installation of the canopy faceplate(17). Push the excess cable up into the canopy by pressing the small barrel of the gripper(19) upward. This will release the wire tension and allow the suspended cable to be pulled through gripper(19). Wind up the excess cable(20) and wrap the supplied Velcro strap around this loop of wire to keep the excess cable from falling outside of the canopy. Then connect low voltage micro-connectors(16).
7. Secure the canopy faceplate(17) to the canopy backplate(14) by first aligning the canopy faceplate(17) cut outs with the canopy backplate(14) tabs then pushing the canopy faceplate(17) up over the canopy backplate(14) and twisting to the right. Lastly secure them together with the thumbscrew(18).

**DIMMING**

Fixture Dimming Type: TRIAC or ELV dimming. For recommended dimmers see [blackjacklighting.com](http://blackjacklighting.com)



## HARDWARE

Wire Connector (#12)  
(2) Included

Mounting Screw (#15)  
(2) Included

Thumbscrew (#18)  
(1) Included

1. JUNCTION BOX (by others)
2. WHITE SUPPLY WIRE
3. WHITE FIXTURE WIRE
4. BLACK SUPPLY WIRE
5. BLACK FIXTURE WIRE
6. PURPLE HOUSE DIMMING WIRE (optional)
7. PURPLE FIXTURE DIMMING WIRE (optional)
8. PINK HOUSE DIMMING WIRE (optional)
9. PINK FIXTURE DIMMING WIRE (optional)
10. HOUSE GROUND WIRE
11. FIXTURE GROUND WIRE
12. WIRE CONNECTORS
13. DRIVER
14. CANOPY BACKPLATE
15. MOUNTING SCREWS
16. WHITE MICRO-CONNECTORS
17. CANOPY FACEPLATE
18. THUMBSCREW
19. GRIPPER
20. PENDANT CABLE
21. STRAIN RELIEF SCREW
22. PENDANT BODY
23. LUMINOUS RING DIFFUSER