



CAUTION

Turn off the main power at the circuit breaker before installing the fixture in order to prevent possible shock. If you are unfamiliar with proper electrical wiring connections, obtain the services of a qualified electrician.

GENERAL

Read all instructions carefully for safe operation and installation. All electrical connections must be in accordance with local and national electrical code (N.E.C.) standards. Remove the fixture and mounting package from box. Make sure no parts are missing by referencing these Installation Instructions. Please contact Blackjack Lighting at 847-941-0588 if any parts are missing or damaged. This product is suitable for DAMP locations.

PREPARATION

1. Remove fixture/housing and diffuser (11, 13) from box.
2. Remove backplate (10) from box.
3. Remove driver assembly (with mounting plate) (15, 17 or 16, 17) from box.
4. Pull the supply wires (2 & 4) and the house ground wire (6) out of outlet box (1).

MOUNTING

5. For 120V Driver Assembly (15): Take driver assembly (15, 17) and push the white fixture wire (3) and the black fixture wire (5) through the round hole next to the rectangular opening in the backplate (10) [See Illustration 1]
6. For the 120-277V driver assembly (16, 17) also push the pink and purple wires (for 0-10V) through the round hole next to the rectangular opening in the backplate (10). [See Illustration 1]

ELECTRICAL CONNECTIONS

7. Push driver assembly (15, 17) into the rectangular opening of back panel (10). Push excess wires into the outlet box (1). Attach driver mount plate (17) to backplate (10) with fasteners (18) (two screws each with two nuts).
8. Using the wire connectors (8), connect the white supply wire (2) to the white fixture wire (3): connect the black supply wire (4) to the black fixture wire (5) and connect the house ground wire (6) to the fixture ground wire (7).
9. If required, connect 0-10V pink and purple dimming wires (20, 21) to similar color dimming wires found in outlet box (1).
10. Attach the backplate (10) to outlet box (1) by inserting mounting screws (9) through the slots in the back panel (10) and then tightly secure the mounting screws (9) into the outlet box (1). [See Illustration 2]

ADJUST CCT SWITCH

11. On the back of housing (11) is a slide switch (19) that shows four different CCT options for this fixture. Position the switch next to the desired color temperature. [See Illustration 3]

FINAL ASSEMBLY

12. Connect white microconnector (14A) coming from driver assembly to microconnector (14B) coming from fixture.
13. Position assembled fixture housing (11) to attach to backplate (10) and fasten the two side screws (12) into the side of backplate (10). [See Illustration 4]

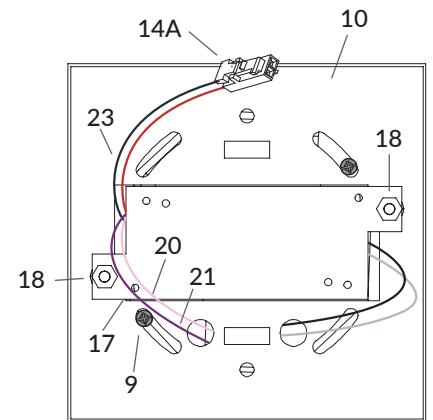


ILLUSTRATION 1

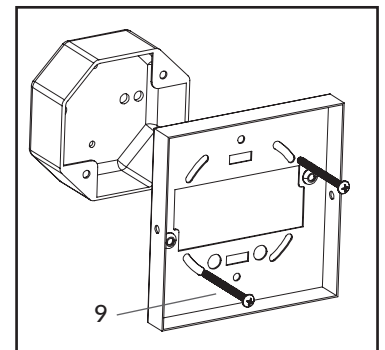


ILLUSTRATION 2

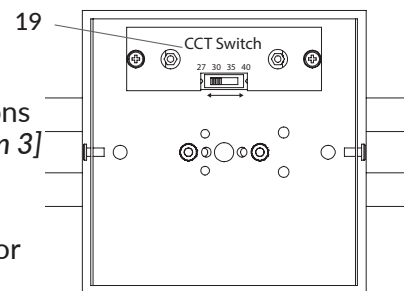


ILLUSTRATION 3

DIMMING

14. Dimming type: TRIAC dimming with 120V standard driver (15) or TRIAC/ELV/0-10V dimming with 120-277V upgraded driver (16).

HARDWARE



Wire Connector (#8)
(3 included)



Back Plate
Mounting Screw (#9)
(2 included)



Side Screw (#12)
(2 included)



Driver Plate Mounting Screw
and Nuts (#18)
(2 screws & 4 nuts included)

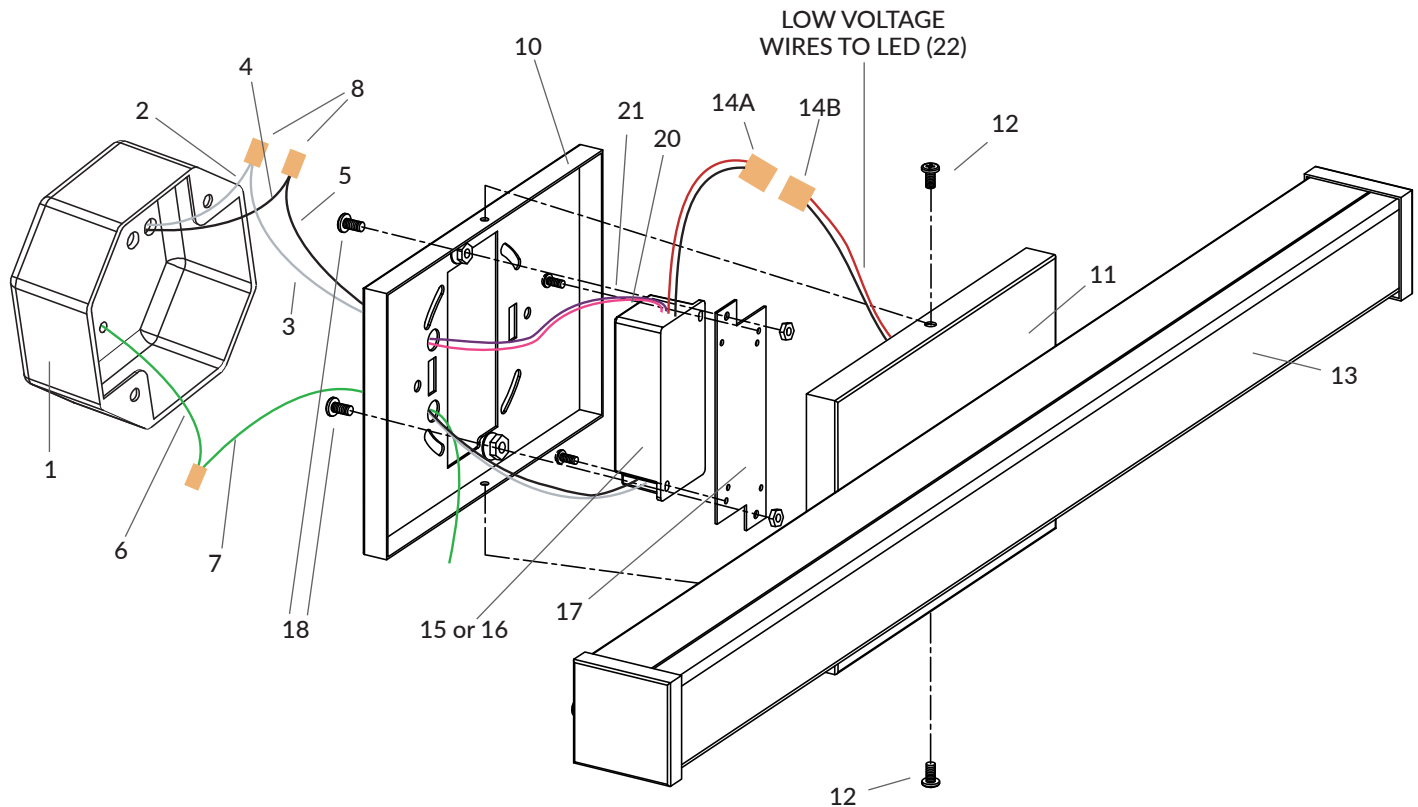


ILLUSTRATION 4

- | | | |
|---------------------------|---|--|
| 1. OUTLET BOX (BY OTHERS) | 9. BACK PLATE MOUNTING SCREWS | 15. 120VAC DRIVER |
| 2. WHITE SUPPLY WIRE | 10. SHALLOW BACKPLATE | 16. 120-277VAC DRIVER |
| 3. WHITE FIXTURE WIRE | 11. CANOPY FACEPLATE | 17. DRIVER MOUNTING PLATE |
| 4. BLACK SUPPLY WIRE | 12. SIDE SCREWS | 18. DRIVER PLATE MOUNTING
SCREWS (2) AND NUTS (4) |
| 5. BLACK FIXTURE WIRE | 13. ACRYLIC LENS | 19. CCT SWITCH |
| 6. HOUSE GROUND WIRE | 14A. WHITE MICROCONNECTOR
FROM DRIVER | 20. PINK 0-10V DIMMING WIRE |
| 7. FIXTURE GROUND WIRE | 14B. WHITE MICROCONNECTOR
FROM FIXTURE | 21. PURPLE 0-10V DIMMING WIRE |
| 8. WIRE CONNECTORS | | 22. LOW VOLTAGE WIRES TO LED |